

# Sleep.8

## OWNER'S MANUAL



Ergo Slim

Actual product appearance and functionality may vary from photographs, illustrations and descriptions included in this manual.

# Table of Contents

Safety Precautions and Usage Statements .....	1-4
Parts List .....	5
Base and Remote Overview .....	6
Quick Reference Guide .....	7
Installation Guide .....	8-9
Remote Control .....	10-11
Remote Control Pairing .....	12
Syncing Two Bases (Optional) .....	13
Connecting Strap (Optional) .....	14
Battery Backup Strap .....	15
Bluetooth Setup .....	16
Headboard Brackets .....	17
Troubleshooting .....	18
Deutsch .....	19-28
Português .....	29-38
Español .....	39-48
Note .....	49

# Safety Precautions and Usage Statements

## Attention: Important Safety Disclaimers

Read all instructions before using your adjustable base. Save these instructions.

### TO REDUCE THE RISK OF SHOCK, BURNS, FIRE OR INJURY:

For optimal safety and operation, plug bed base into a surge protector (not included). The bed base should only be plugged directly into a wall outlet or surge protector (strongly recommended). Always unplug the base from the electrical outlet before servicing any part of the base. To reduce risk of electric shock, unplug the base before cleaning. To safely disconnect, ensure the base is in a flat position with all motors off, and unplug from power source. Keep the power cord away from heated surfaces. Never operate the base when the air openings are blocked. Keep air openings free of lint, hair and the like. Do not drop or insert any object into any opening. Discontinue use of the bed base and contact a qualified service center if: it has a damaged cord or plug, if it is not working properly, or it has been dropped into water. Only use this bed base for its intended use as described in this manual. Do not use accessories/attachments that are not recommended by the manufacturer. Close supervision is required when the bed base is used by or near children, convalescents, disabled persons or pets. Improper connection of the equipment can result in the risk of electrical shock, electrical fire or faulty operation of this bed base. If the plug does not fit your outlet, contact a qualified electrician to install a suitable outlet. Unauthorized modification or failure to use a wall outlet or surge protector could void the electrical portion of your warranty.

### PETS AND CHILDREN:

Immediately dispose of all packing materials as it may pose a smothering risk to small children and pets. To avoid injury, it is not advised to allow children and small pets to play on or under the bed. Children should not

operate the bed base without adult supervision.

### PACEMAKERS:

Some products contain Neodymium MAGNETS which may interfere with devices such as pacemakers, ICD's and any other device sensitive to magnetic fields. It is STRONGLY recommended that owners of such medical devices consult their physician prior to using products that contain Neodymium MAGNETS. It is also possible that some pacemakers may falsely interpret the optional massage feature vibrations as movement/exercise. This is a common occurrence with any product that creates a vibrating movement and may not affect the pacemaker. Please consult your physician before using the massage feature.

### IN-HOME USE AND HOSPITAL STANDARDS:

Ergomotion adjustable bed bases are designed solely for in-home use. This base was not designed as a hospital bed and is not designed to meet hospital standards. Do not use this base with TENT TYPE oxygen therapy equipment or near explosive gases.

### ADDITIONAL SAFETY FEATURES

Casters (optional leg accessory) are equipped with locking wheels to prevent unwanted movement. Even when locked and unable to roll, it is possible for the casters to slide. Free release head and foot motors are designed to lower the mattress by retracting only with gravity, never pulling downwards, which minimizes pinch points.

# Safety Precautions and Usage Statements

## LIFTING/LOWERING MECHANISMS

The lift/lower feature will emit a minimal humming sound during operation. This is normal. During operation, the lift arm wheels make contact with the platform support of the base. This contact may result in metal on metal or metal on plastic contact. This applies slight tension on the moving components and resonance is reduced to a minimum level. If excessive noise or vibration is experienced, reverse the movement action (up or down) of the base with the remote control. This should realign the base's activating mechanisms to the proper operational position. In normal base operation, the wheels, which allow the bed to maintain its distance from the wall, will make contact with the steel platform supports of the base creating a contact noise. When entering, exiting or shifting weight on the base, this contact noise may be audible as the wheels make contact. This is normal.

## MATERIALS

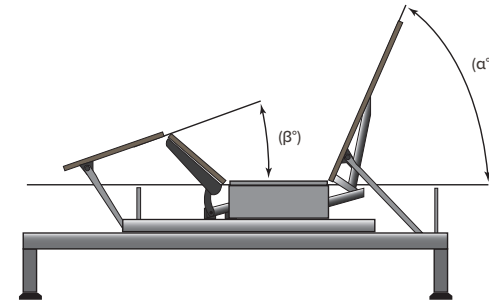
Ergomotion adjustable bases are constructed from various materials including woods, metals, plastics and fabrics. Tension, pressure or movement applied to the frame, platform or shroud through general use may create an audible sound.

## MESSAGE OPERATION AND LOCATION ENVIRONMENT

The massage feature will emit a tone during operation. This is normal. As the massage intensity level is increased, the tone will intensify. The volume of this tone is directly related to the location environment. For example, when demonstrated in a show room, the surrounding environmental noise will cover some of the massage noise. However, when installed in a home setting with wooden floors, carpeted or not, the massage volume will be more noticeable. To minimize this resonance, place a piece of carpet, or rubber caster cups, under each leg or caster of the base. It is possible to experience vibration or noise from the exterior bed frame, headboard brackets, headboards or footboards if

mounting bolts are not firmly tightened

Levels 1-6 of massage intensity represent the revolutions of the motor per minute. Level 6 provides the maximum number of RPMs. However, this does not mean that the feeling of vibration is the strongest. Depending on the mattress material, thickness, and positioning of the user, the feeling of vibrations will differ. We encourage the user to find the massage intensity setting that suits them best. It is important to understand the physics of vibrations. Just as an engine may run rough during idle, as the RPMs increase, the vibrations change concurrently.



## TOLERANCE

All Ergomotion adjustable foundations, depending on make and model, are designed and manufactured to perform and function within designated quality control parameters. Bases are subject to meticulous and rigorous inspections during the quality control process to ensure bases will operate within these standards during normal operating use. Normal operating use is defined as the following: Adjustable foundation is to be operated with a mattress and load. Testing procedures require lifetime cycle tests with up to 120kg distributed load. The angle (designated " $\alpha$ " in figure 1) between the back section and the flat section

# Safety Precautions and Usage Statements

for various configurations of the mattress support platform shall be  $\pm 3^\circ$ , which translates to a tolerance of up to  $1\frac{1}{2}''$ .

The angle (designated " $\beta$ " in figure 1) between the flat section and foot section for various configurations of the mattress support platform shall be  $\pm 3^\circ$ , which translates to a tolerance of up to  $\frac{3}{4}''$ .

Any adjustable foundation deemed to be within these allocated tolerances is considered to have met the manufacturer's quality control standards.

## **THAT "NEW PRODUCT" SMELL:**

Some people notice a slight odor to their new adjustable base—this can come from our material manufacturing process. This smell is normal and usually disappears before the product reaches you. Sometimes, however, this smell may still be noticeable. It usually disappears after a few weeks, providing adequate ventilation of the product and the environment.

## **BREAK IN PERIOD:**

You can speed up the break-in period by simply spending time in the adjustable bed through activities such as reading, watching TV or playing with the kids or grandkids. The extra movement will help the adjustable base respond to weight and temperature changes. Some of the materials in our adjustable bases such as the woods, metals and plastics used in the platform, frame and components are sensitive to moisture content and temperature and may make sounds in colder environments.

## **PAIRED OPERATION:**

When operating a "paired" split base setup there may be a time latency up to 1.5 seconds between each bases articulation.

## **WEAR AND TEAR:**

Wear and tear is damage that naturally and inevitably occurs as a result of normal use or aging.

## **FABRIC CARE:**

To prolong the life of your fabric, protect from direct sunlight whenever possible. For spot cleaning, wipe area with a light damp sponge or vacuum with a soft brush attachment to remove particles. Keep at a minimum of 30cm (12 inches) away from direct heat sources. For a deeper cleaning, blot liquid spills with a clean dry cloth. Wipe with a clean cloth dampened with warm water. Do not wet excessively. A soft bristle brush may be used to remove ingrained soil. Avoid scratching by gentle brushing. Wipe with a clean cloth dampened with warm water to remove residues. Dry in shade away from direct heat. If persistent marks remain visible after cleaning, seek professional advice.

## **PRODUCT RATINGS:**

The lift motors are not designed to operate continuously for more than [2] minutes in an [18] minute time period or approximately 10% duty cycle. Attempting to circumvent or exceed this rating will shorten the life expectancy of the product and may void the warranty. The massage motors are not designed to operate continuously for more than 30 minutes at a time. Please allow the massaging system to rest for 30 minutes after automatic massage shut off before restarting.

## **WEIGHT LIMITS:**

This product is not rated to support weights in excess of 750 pounds /340 kg inclusive of the mattress and bedding. The base will structurally support this weight, provided it is evenly distributed across the bed base. The adjustable base is not designed to support or lift this amount in the head or foot sections alone. Exceeding this weight restriction could damage the bed and/or cause injury and will void the warranty.

# Safety Precautions and Usage Statements

## IMPORTANT DO'S AND DON'TS

### DO:

- Plug your adjustable base into a power surge protector.
- Evenly distribute weight when sleeping in a split setup. Uneven distribution of weight can cause the base to raise unevenly.
- Call Customer Service for any technical issues. Do not try to force the base down, this can damage the motors or frame.
- Use mild soap and water to clean your adjustable base if staining occurs.
- Keep in mind that adjustable bases are recommended to be used with adjustable friendly mattresses.
- Lower to the flat (horizontal) position after use and in between presets.
- Register your warranty as soon as your adjustable base has been delivered.

### DON'T:

- Sit on corners/edges of base, this may warp the frame, struts or foam.
- Tilt the base on its side. This can damage the legs and/or leg screws.
- Stand or jump on the adjustable base at any time, this can damage the frame and motors.
- Drag the base to move it. Dragging the base could damage the frame, strip the nut/bolts or break the legs. Purchase castors if you plan on moving your base routinely.
- Enter and exit the adjustable base with the head and/or foot in the articulated position. Enter or exit your adjustable in the flat (horizontal) position.
- Tinker with or modify base. This will void the warranty.
- Press down on the head or foot while actuated can damage frame and motors.

### FCC Compliance:

**NOTE:** This equipment has been tested and found to comply with the limits for a Class B digital device, pursuant to part 15 of the FCC Rules. These limits are designed to provide reasonable protection against harmful interference in a residential installation. This equipment generates, uses and can radiate radio frequency energy and, if not installed and used in accordance with the instructions, may cause harmful interference to radio communications. However, there is no guarantee that interference will not occur in a particular installation. If this equipment does cause harmful interference to radio or television reception, which can be determined by turning the equipment off and on, the user is encouraged to try to correct the interference by one or more of the following measures:

- Reorient or relocate the receiving antenna.
- Increase the separation between the equipment and receiver.
- Connect the equipment into an outlet on a circuit different from that to which the receiver is connected.
- Consult the dealer or an experienced radio/TV technician for help.

**SAVE THESE INSTRUCTIONS.**

# Parts List

**Before discarding the packing materials, ensure all the parts are accounted for.**

**All electronics and components that need to be installed are located in boxes under the base or attached to the frame.**

A) Wireless Remote Control and (3) AAA batteries<sup>~</sup>

B) Mattress Retainer Bar (2) \*

C) Power Cord (UK)

D) Power Cord (EU)

E) Power Supply

F) Power Down Box (9 volt alkaline batterie not included)

G) Connecting Strap<sup>†\*</sup>

H) SmartSync Cord<sup>‡</sup>

I) Aluminum Leg (4)

**Miscellaneous Parts (not included):**

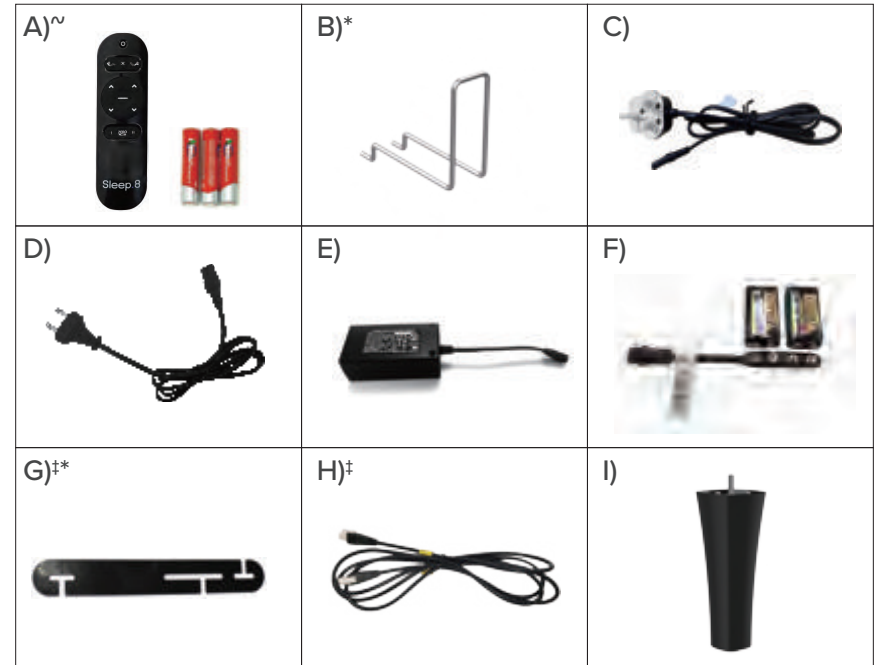
J) Surge Protector

K) 9 Volt Alkaline Battery (2)

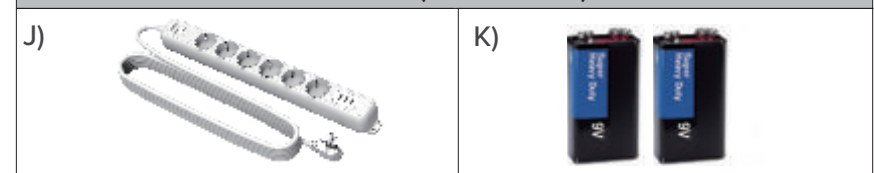
\* These items are attached to the base for shipping purposes. Carefully remove from base and set aside.

‡ Only included in Twin Long and Cal King Split bases.

~ If the battery is not used for a long time, it needs to be changed.

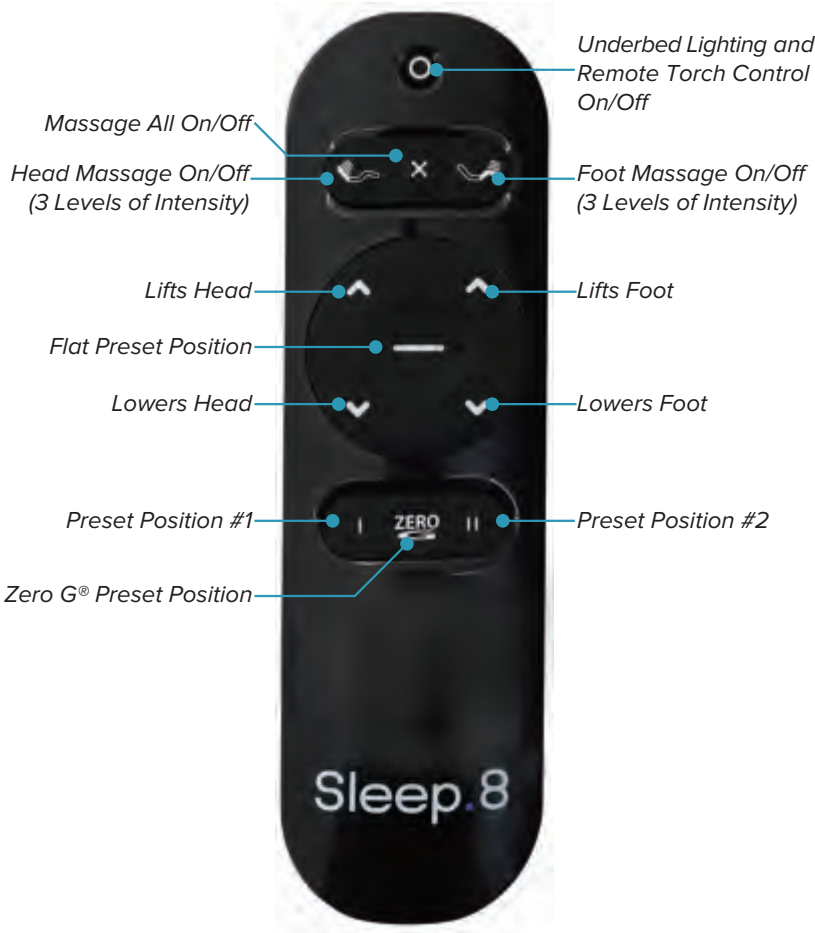
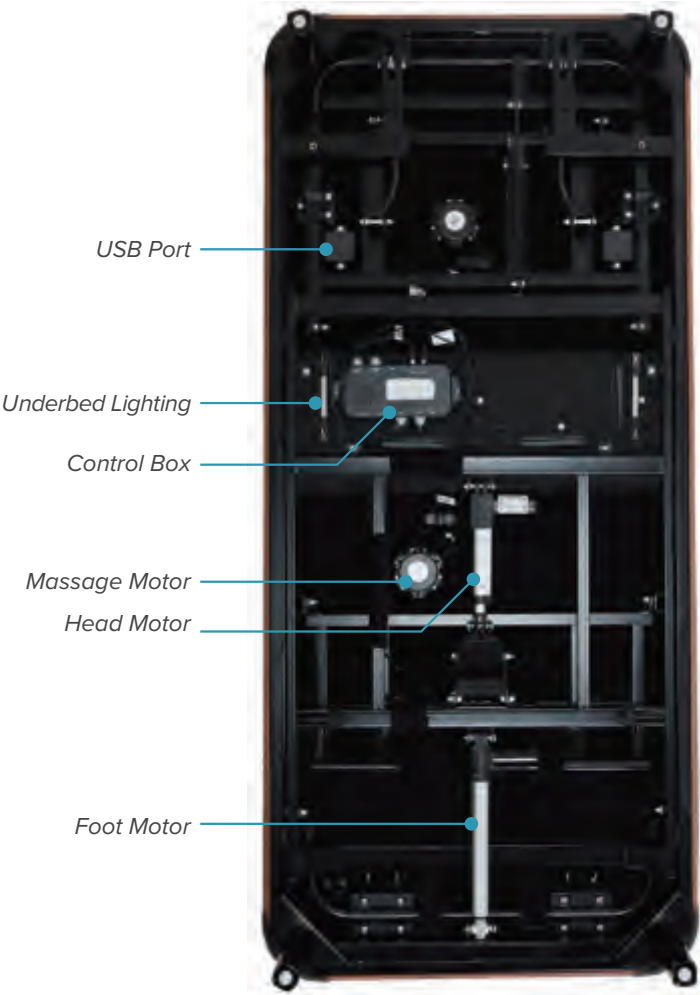


## MISC Parts (NOT INCLUDED)



**IMPORTANT!:** For your safety, read the owner's manual carefully and completely before operating this product. Electric shock may occur if electrical components are not installed or operated according to these guidelines.

# Base and Remote Overview

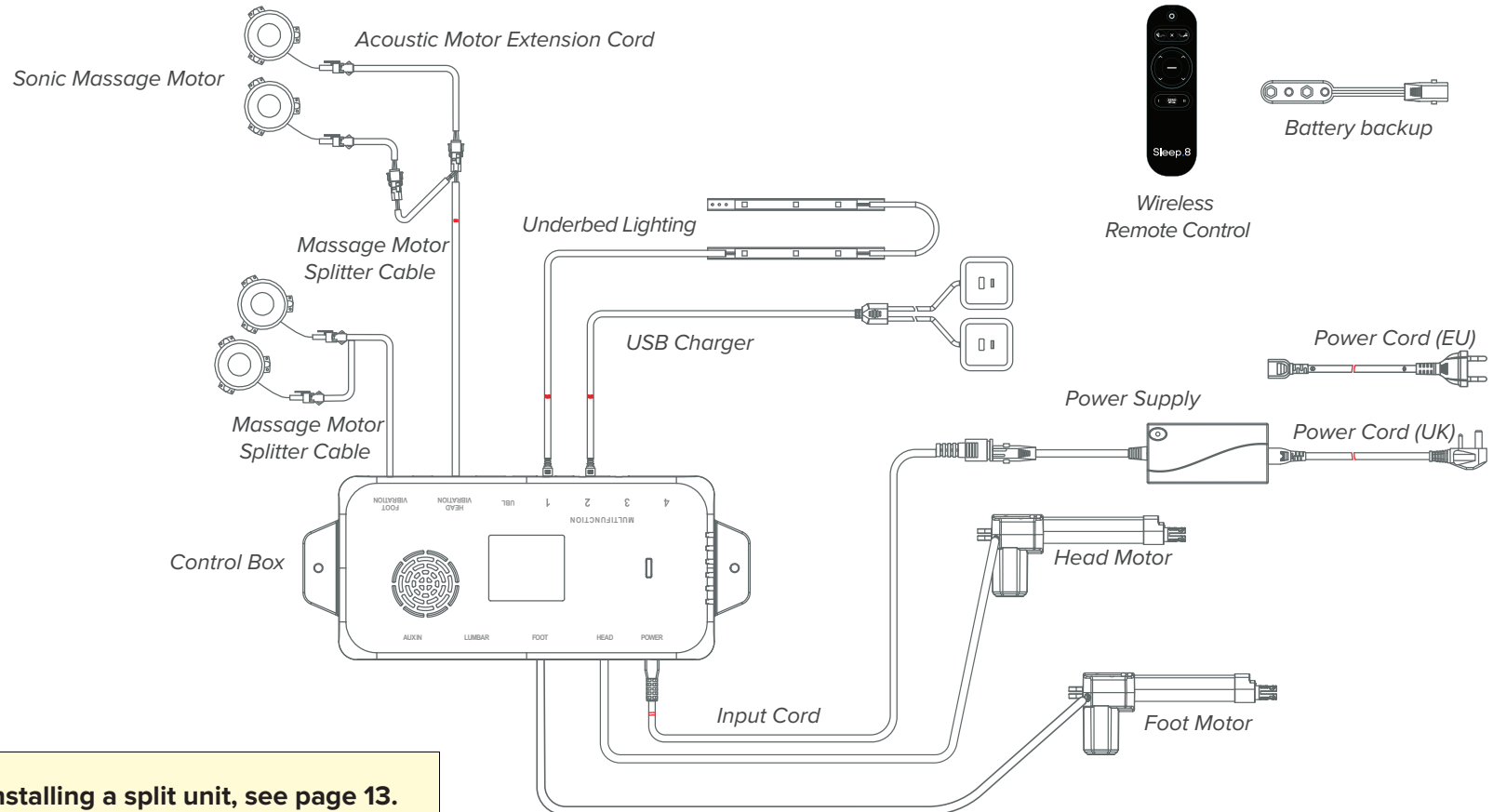




# Quick Reference Guide

Not to scale. For illustration purposes only. Read all instructions before beginning installation.

## ELECTRONICS OVERVIEW



If installing a split unit, see page 13.

# Installation Guide

**Always use two people when setting up the base.**

## STEP 1

Place the bed base box in a desired location with the top of the box facing up.

Remove the binding straps and packing materials, making sure not to puncture the box with any sharp objects.

## STEP 2

Remove the bed base from the box keeping the bottom of the base facing upwards.

If setting up the base without legs, please skip to step 4.

## STEP 3

**To install Headboard Brackets (sold separately) see instructions on page 17.**

Legs are optional. To install the legs, thread the washer over the bolt of the leg with the recessed side facing the leg, and tighten by hand. Do not over tighten.



## STEP 4

**To sync two bases see detailed installation instructions on page 13.**

Locate the Battery Backup Strap and install (2) 9 Volt Alkaline batteries (not included).



## STEP 5

Uncoil input Power Cord (connected to Control Box's power port) and plug into Power Supply.



## STEP 6

Uncoil the Power Cord and connect to the Power Supply. Place Power Supply on the ground and extend from the base. Ensure that the Power Supply and all attached cords are directed toward the desired surge protector.



# Installation Guide

## STEP 7

Carefully flip the base over. Important: Two people are required to move the bed base. Do not drag across the floor. Do not rest frame on its side, excessive pressure may damage the legs (if used).

## STEP 8

Plug the power cord into a power source.

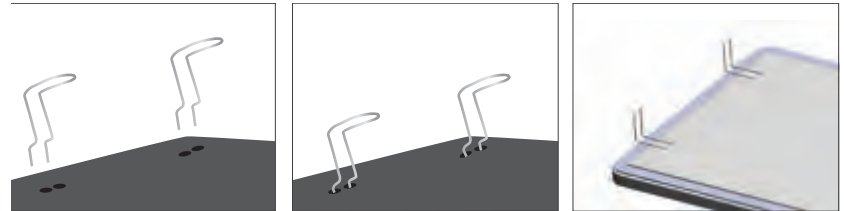
**A surge protector is recommended.**

## STEP 9

Quickly test remote functions to verify proper setup before placing mattress on base. Return the base to a flat position before placing the mattress on top.

## STEP 10

Install mattress retainer bars by inserting both ends of mattress retainers bar into holes on the platform and laying the bars down with curved side facing up.



***Setup is now complete! Test all functions on remote.***

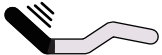
# Remote Control

Remote Control arrives paired to the adjustable base.  
Three (3) AAA batteries are required to operate the remote.

## MESSAGE FEATURE



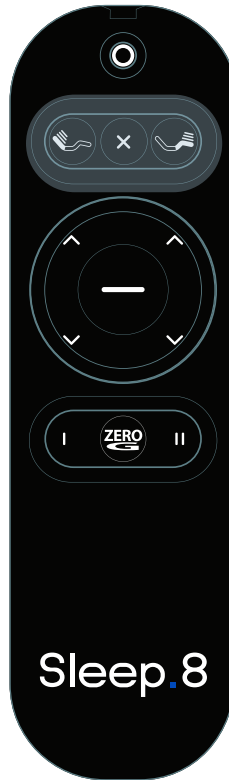
Massage all On/Off. Turn on message function on both head and foot sections.



The HEAD + - button will turn on the head massage. Cycle through 3 massage intensities.



The FOOT + - button will turn on the foot massage. Cycle through 3 massage intensities.



## ADJUST



The HEAD ▲ ▼ arrows lift and lower the head section of the base.



The FOOT ▲ ▼ arrows lift and lower the foot section of the base.



One Touch FLAT Preset position.



# Remote Control

Remote Control arrives paired to the adjustable base.  
Three (3) AAA batteries are required to operate the remote.

## ONE TOUCH BUTTONS



Press to activate underbed lighting. Press again to turn off.



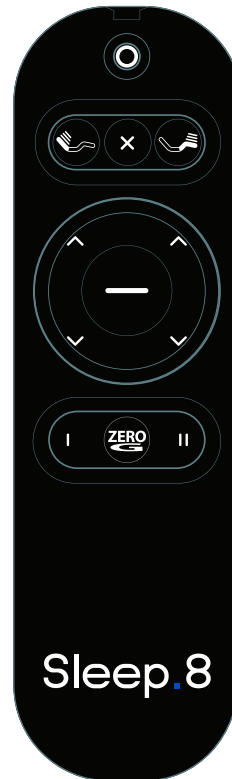
One touch ZERO-G® preset position. Zero-G® adjusts your legs to a higher level than your heart helping to relieve pressure off the lower back and promote circulation.



Preset Position #1.



Preset Position #2.



The programmable feature allows you to save custom positions. Please read all the instructions below before setting your custom presets on the remote.

**Step 1:** Articulate the head and foot to your desired position.

**Step 2:** Press and hold one of the preset buttons [I, II] for 7 seconds.

Position is now saved.

**NOTE:** To restore the preset buttons back to their original factory settings, hold FLAT and ZERO-G® simultaneously for at least 10 seconds. The original presets will be restored.

**To adjust the saved position, repeat steps 1 and 2 and the new position will be stored.**

## Child Safety Lock

### Activate Child Safety Lock

Press and hold FLAT + HEAD UP for more than 3 seconds, the backlight will flash 2 times to indicate the successful activation of the child safety lock.

When the child safety lock is on, click any button, the adjustable bed will not respond and the backlight of the remote will flash 2 times as a reminder.

### Deactivate Child Safety Lock

Press and hold FLAT + FOOT UP for more than 3 seconds, the backlight will flash 2 times, indicating the child safety lock out is successful.

When the child safety lock is released, click any button, the adjustable bed will return to normal.

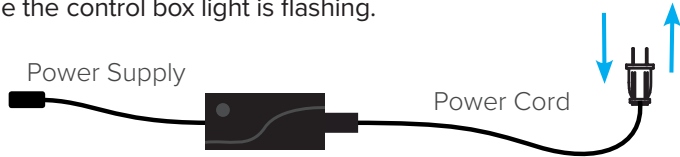
# Remote Control Pairing

## Remote Pairing

The original remote that comes in the box is already paired to the adjustable base. No further action is required. In the event that the remote is not paired with the base, follow the steps below.

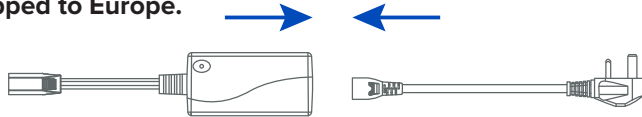
### STEP 1

Unplug the Power Cord from your power outlet. Wait 1 minute, then plug it back in to your power outlet. Perform Step 2 within 10 seconds, while the control box light is flashing.



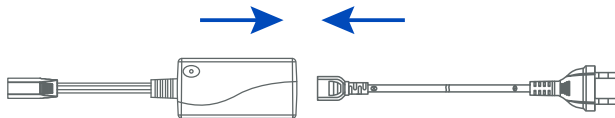
#### AC Power Cord (Europe)

Uncoil input Power Cord (connected to Control Box's power port) and plug into Power Supply. **Please use the AC Power Cord for beds shipped to Europe.**



#### AC Power Cord (UK)

Uncoil input Power Cord (connected to Control Box's power port) and plug into Power Supply. **Please use the AC Power Cord for beds shipped to the UK market.**



### STEP 2

Remove the back cover of the remote, press and hold down the PAIR button. The PAIR button will illuminate blue and start flashing. When the PAIR button stops flashing, the illuminated light on the control box will stop flashing. Release the PAIR button. The remote is now paired to the adjustable base.



### STEP 3

Test all remote functions. If the remote buttons do not impact the adjustable base movements, please repeat the process again.

# Syncing Two Bases (Optional)

**A Sync Cord is included with the base. Not available on Queen, Full or Full-Long size bases.**

**The Sync Cord connects the two control boxes to a single remote for the synchronization of two bases.**

## STEP 1

Unplug bases from power source.

## STEP 2

Connect the Sync Cord to the Multifunction port of each Control Box.

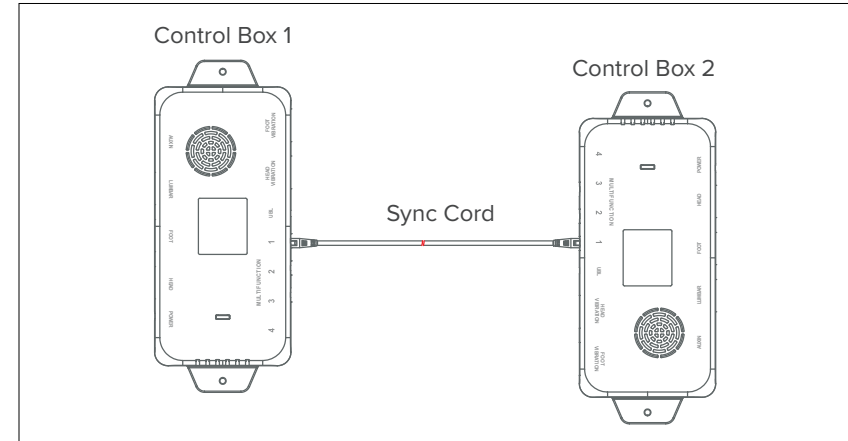
## STEP 3

Plug bases back into the power source.

## STEP 4

Check to ensure all cords are securely attached. Both remotes will now operate both bases simultaneously.

The system is now linked. Buttons pressed on either remote will control both bases simultaneously.



## PERFORMANCE NOTES

If bases become mismatched, pressing the FLAT button will re-sync the mechanical positions.

# Connecting Strap (Optional)

Connecting straps are secured to the base frame upon delivery.

Legs are required for the installation of the connecting straps.

## STEP 1

With the bases in their desired location, slightly loosen both legs to allow the strap to fit on the leg bolt, between the leg washer and frame.



## STEP 2

Slide side (a) of the connecting strap onto leg bolt. Swing the strap and connect side (b) to the leg bolt. Secure the strap by shifting to the left.



## STEP 3

Re-tighten legs. Do not over tighten. Use the remaining strap and repeat on other end of the base.



# Battery Backup Strap

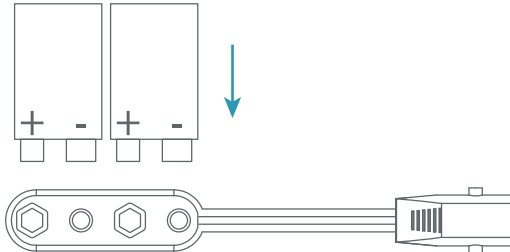
Two (2) 9 Volt alkaline batteries are required to operate the power down feature and are **NOT** included.

## STEP 1

Disconnect the Power Supply from the Input Cord.

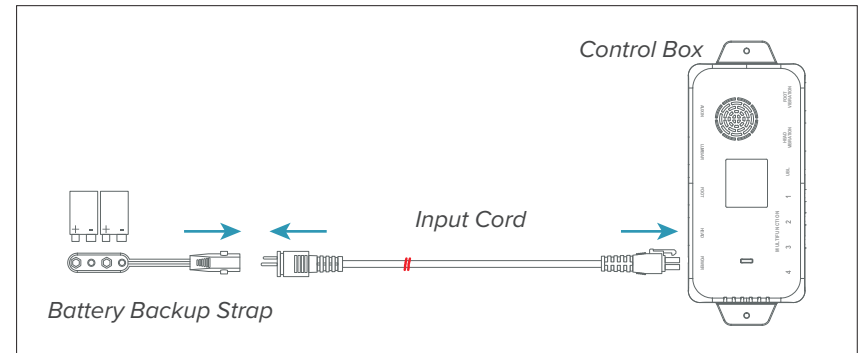
## STEP 2

Connect the Battery Backup Strap to the (2) 9 Volt alkaline batteries. Do not mix brand name Batteries.



## STEP 3

Connect the end of the Battery Backup Strap to the input power cord that is attached to the control box.



**Note:** Detach the Battery Backup Strap after the emergency is over, as the system will continue to draw power from the batteries even if not in use.

## STEP 4

Use the remote control to lower the base to a flat position.

# Bluetooth

To operate the base from a smart device, the “Ergo Slim” application must be downloaded to the desired smart device from the App Store (Apple) or Google Play Store (Android).

## STEP 1

Plug the bed into power source.

## STEP 2

Open the Ergo Slim app and select the Menu icon.

## STEP 3

Select Bluetooth V4.0 and "auto connect".

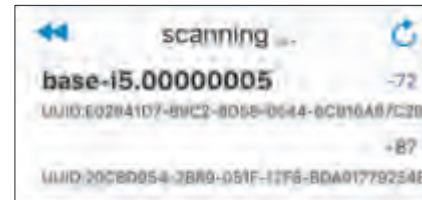


## STEP 4

Tap Select Device.

## STEP 5

Select desired base. Tap back arrow to return to settings and select Remote to return to remote control screen.  
\*See page 10 for remote instructions.



## NOTES

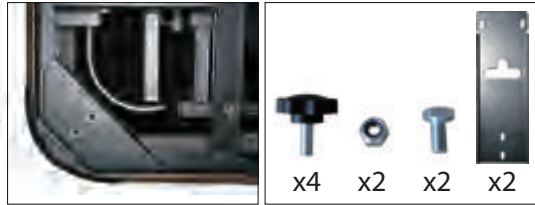
- If operating multiple bases: the Unique ID number will be listed on the sticker located on the adapter
- Press and hold RESET for 5 seconds to reset customized presets back to factory default settings.
- To disconnect: Turn off the Bluetooth function on your device or select “Forget this Device” from your Bluetooth settings menu.
- For assistance establishing a Bluetooth connection please refer to your device’s owners manual or contact the manufacturer directly.

**For assistance setting up a Bluetooth® connection, refer to your smart device's owners manual or contact the manufacturer directly.**

# Headboard Bracket Installation Guide (Optional)

## STEP 1

Make sure the bottom of the base is facing up. Accessories for installation: 4 torx bolts, 2 short bolts, 2 nuts, 2 brackets.



## STEP 2

Lay the bracket flat on the corner of the base. Make sure to align the leg hole and the small bolt hole on the bottom corner of the bracket.



## STEP 3

- Thread the leg into the main hole, and twist to tighten. Do not over tighten.
- Using short bolt and nut, secure the out edge of bracket.



## STEP 4

Repeat Steps 2-3 to install the other bracket.



## STEP 5

Align the headboard with the bracket, and slide the headboard on to the bracket track.



## STEP 6

Use the flower bolts to secure the headboard to the bracket.



# Troubleshooting

## **If one or more functions on the bed base have stopped operating:**

- Check under the bed base to verify that the wired connections are secure and that there are no cords or bedding obstructing the movement of the base.
- Check to ensure the green LED light is illuminated on the control box. If there is no light, verify that the input and power cords are properly connected.
- Unplug the base for 1 hour to reset the electronic components.
- Plug bed base into a different electrical outlet, or test current outlet with another working appliance (a grounded, electrical surge protector is recommended).
- Remove and replace full batteries in the remote control and re-pair the remote to the base (see page 12).

If issue is not resolved by following the instructions above, locate serial number on warranty card or back of remote.

## **pg.1-4 Vorsichtsmaßnahmen und Gebrauchsanweisung**

Achtung: Wichtige Hinweise zum Sicherheitshaftungsausschluss  
Lesen Sie die gesamte Anleitung, bevor Sie Ihre verstellbare Basis benutzen. Bewahren Sie diese Anleitung auf.

**UM DIE GEFAHR VON STROMSCHLÄGEN, VERBRENNUNGEN, FEUER ODER VERLETZUNGEN ZU VERRINGERN:**

Für eine optimale Sicherheit und einen optimalen Betrieb schließen Sie die Bettbasis an einen Netzfilter an (nicht im Lieferumfang enthalten). Die Bettbasis darf nur direkt an eine Steckdose oder einen Netzfilter angeschlossen werden (dringend empfohlen). Ziehen Sie immer den Stecker aus der Steckdose, bevor Sie irgendwelche Teile der Bettbasis warten. Um die Gefahr eines Stromschlags zu verringern, trennen Sie die Bettbasis vor der Reinigung von der Stromversorgung. Um eine sichere Trennung vorzunehmen, stellen Sie sicher, dass die Basis waagrecht liegt, während die Motoren ausgeschaltet sind, und trennen Sie sie vom Stromnetz. Halten Sie das Netzkabel von erhitzten Oberflächen fern. Verwenden Sie die Basis niemals, wenn deren Lüftungsöffnungen blockiert sind. Halten Sie Flusen, Haare usw. von den Lüftungsöffnungen fern. Lassen Sie keine Gegenstände in die Öffnungen fallen und stecken Sie sie nicht hinein. Verwenden Sie die Bettbasis nicht mehr und wenden Sie sich an einen qualifizierten Kundendienst, wenn: das Netzkabel oder der Stecker beschädigt ist, er nicht richtig funktioniert oder ins Wasser gefallen ist. Verwenden Sie diese Bettbasis nur für den in dieser Anleitung beschriebenen Zweck. Verwenden Sie kein Zubehör/Düsen, die nicht vom Hersteller empfohlen werden. Wenn die Bettbasis von oder in der Nähe von Kindern, Rekonvaleszenten, Invaliden oder Haustieren verwendet wird, ist eine strenge Überwachung erforderlich. Ein falscher Anschluss des Geräts kann zu einem elektrischen Schlag, einem Brand oder einer Fehlfunktion der Bettbasis führen. Wenn der Stecker nicht in Ihre Steckdose passt, lassen Sie von einem qualifizierten Elektriker eine passende Steckdose einbauen. Unbefugte Änderungen oder die Nichtverwendung der Steckdose oder des Überspannungsschutzes können zum Erlöschen der Garantie für das elektrische Teil führen.

**HAUSTIERE UND KINDER:**

Entsorgen Sie alle Verpackungsmaterialien sofort, da dies zum Erstickten von Kleinkindern und Haustieren führen kann. Kinder und kleine Haustiere sollten nicht auf oder unter dem Bett spielen dürfen, um Verletzungen zu vermeiden. Kinder sollten die Bettbasis nicht ohne Aufsicht von Erwachsenen benutzen.

**HERZSCHRITTMACHER:**

Einige Produkte enthalten Neodym-Magnete, die Geräte wie Herzschrittmacher, ICDs und andere magnetisch empfindliche Geräte stören können. Es wird **DRINGEND** empfohlen, dass Besitzer solcher medizinischen Geräte vor der Verwendung von Produkten, die Neodym-Magnete enthalten, ihren Arzt konsultieren. Es ist auch möglich, dass einige Herzschrittmacher die Vibrationen der zusätzlichen Massagefunktion fälschlicherweise als Bewegung/Übung interpretieren. Dies ist bei allen Produkten, die eine vibrierende Bewegung erzeugen, üblich und kann den Herzschrittmacher beeinträchtigen. Bitte konsultieren Sie Ihren Arzt, bevor Sie die Massagefunktion verwenden.

**HEIMGEBRAUCH UND KRANKENHAUSSTANDARDS:**

Die verstellbaren Bettbasen von Ergomotion sind ausschließlich für den Heimgebrauch bestimmt. Diese Basis wurde nicht als Krankenhausbett konzipiert und entspricht nicht den Krankenhausstandards. Verwenden Sie diese Basis nicht mit zeltartigen Sauerstofftherapiegeräten oder in der Nähe von explosiven Gasen.

**ZUSÄTZLICHE SICHERHEITSFUNKTIONEN:**

Die Rollen (optionales Zubehör für die Beine) sind mit Feststellrädern ausgestattet, um ungewollte Bewegungen zu verhindern. Auch wenn die Rollen blockiert sind und sich nicht drehen können, können sie gleiten. Die frei nach unten gerichteten Kopf- und Beinantriebe sind so konzipiert, dass sie die Matratze nur durch die Schwerkraft absenken,

aber niemals nach unten ziehen, wodurch die Gefahr eines Einklemmens minimiert wird.

## HEBE-/SENKMECHANISMEN:

Die Hebe-/Senkfunktion erzeugt während des Betriebs ein minimales Summgeräusch. Das ist normal. Während des Betriebs kommen die Räder des Hebearms in Kontakt mit der Basisplattform. Dieser Kontakt kann zu Metall-auf-Metall- oder Metall-auf-Kunststoff-Kontakt führen. Dadurch werden die beweglichen Teile nur geringfügig belastet und die Resonanz wird auf ein Minimum reduziert.

Wenn übermäßige Geräusche oder Vibrationen auftreten, ändern Sie die Bewegungsrichtung der Basis (nach oben oder unten) mit Hilfe der Fernbedienung. Dadurch sollten die Aktivierungsmechanismen der Basis in die richtige Arbeitsposition gebracht werden. Bei normalem Gebrauch der Basis kommen die Räder, mit denen das Bett seinen Abstand zur Wand einhält, mit den Stahlfüßen des Sockels in Berührung, wodurch Kontaktgeräusche entstehen. Beim Ein- und Ausfahren oder bei einer Gewichtsverlagerung auf der Basis können Sie dieses Kontaktgeräusch hören, wenn die Räder in Kontakt sind. Das ist normal.

## MATERIALIEN:

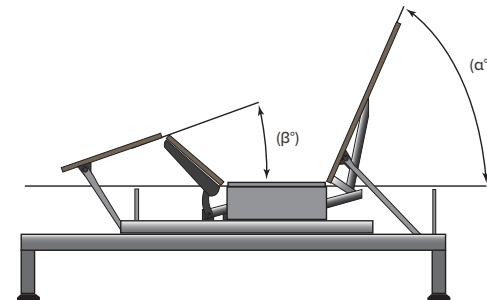
Die verstellbaren Basen von Ergomotion sind aus verschiedenen Materialien wie Holz, Metall, Kunststoff und Stoff gefertigt. Spannungen, Druck oder Bewegungen, die während des normalen Gebrauchs auf den Rahmen, die Plattform oder die Abdeckung einwirken, können zu einem hörbaren Geräusch führen.

## MASSAGEVERFAHREN UND STANDORTBEDINGUNGEN:

Die Massagefunktion gibt während des Betriebs einen Signalton ab. Das ist normal. Mit zunehmender Intensität der Massage wird auch der Ton stärker. Die Lautstärke dieses Signals ist direkt vom Standort abhängig. Bei einer Vorführung in einem Ausstellungsraum zum Beispiel überlagern die Umgebungsgeräusche teilweise die Geräusche

der Massagefunktion. Bei der Aufstellung in einer Wohnumgebung mit oder ohne Holzböden, die mit Teppichen bedeckt sind, wird die Intensität der Massagegeräusche jedoch stärker wahrnehmbar sein. Um diese Resonanz zu minimieren, legen Sie ein Stück Teppich oder Gummipolster unter jeden Fuß bzw. jedes Fußpolster. Wenn die Schrauben locker sind, kann es bei der Montage am äußeren Bettrahmen, an den Kopfteilverstellungen, an den Rückenlehnen oder an den Fußteilen zu Vibrationen oder Geräuschen kommen.

Die Massageintensitätsstufen 1-6 entsprechen der Anzahl der Motorumdrehungen pro Minute. Stufe 6 bietet die maximale Anzahl von Umdrehungen pro Minute. Das bedeutet jedoch nicht, dass das Gefühl der Vibration am stärksten ist. Je nach Matratzenmaterial, Dicke und Position des Benutzers variiert das Vibrationsempfinden. Wir empfehlen, dass der Benutzer die für ihn am besten geeignete Einstellung der Massageintensität wählt. Es ist wichtig, die Physik der Schwingungen zu verstehen. So wie ein Motor im Leerlauf rau laufen kann, ändert sich auch die Vibration, wenn die Drehzahl steigt.



## TOLERANZEN:

Alle verstellbaren Basen von Ergomotion werden je nach Marke und Modell so entwickelt und hergestellt, dass sie ihre Funktionen in Übereinstimmung mit festgelegten Qualitätskontrollparametern erfüllen. Die Basen werden einer gründlichen und strengen

Qualitätskontrolle unterzogen, um sicherzustellen, dass sie bei normalem Gebrauch diesen Standards entsprechen. Der Normalbetrieb ist wie folgt definiert: Die verstellbare Basis muss mit der Matratze und der Last betrieben werden. Die Prüfverfahren erfordern Lebensdauerprüfungen mit einer verteilten Last von bis zu 120 kg. Der Winkel (in Abbildung 1 mit "α" gekennzeichnet) zwischen dem Rückenteil und dem flachen Teil muss bei den verschiedenen Konfigurationen der Matratzenauflageplattform  $\pm 3^\circ$  betragen, was einer Toleranz von 1 ½ Zoll entspricht.

Der Winkel (in Abbildung 1 mit "β" gekennzeichnet) zwischen dem flachen Teil und dem Beinteil für die verschiedenen Konfigurationen der Matratzenauflage sollte  $\pm 3^\circ$  betragen, was einer Toleranz von ¾" entspricht. Jede verstellbare Basis, die innerhalb der angegebenen Toleranzen liegt, gilt als mit den Qualitätskontrollstandards des Herstellers übereinstimmend.

#### DEN GERUCH EINES NEUEN PRODUKTS:

Manche Menschen bemerken einen leichten Geruch ihrer neuen verstellbaren Basis - dies kann auf den Herstellungsprozess unseres Materials zurückzuführen sein. Dieser Geruch ist normal und verschwindet normalerweise, bevor das Produkt bei Ihnen ankommt. Manchmal kann dieser Geruch jedoch noch wahrnehmbar sein. Er verschwindet in der Regel nach einigen Wochen, sofern das Produkt und die Umgebung ausreichend belüftet werden.

#### PAUSEZEIT:

Sie können die Eingewöhnungszeit beschleunigen, indem Sie sich auf dem verstellbaren Bett mit Aktivitäten wie Lesen, Fernsehen oder Spielen mit Ihren Kindern oder Enkeln beschäftigen. Die zusätzliche Bewegung hilft der verstellbaren Basis, auf Gewichts- und Temperaturänderungen zu reagieren. Einige der Materialien, aus denen unsere verstellbaren Basen gefertigt sind, wie Holz, Metalle und Kunststoffe, die in der Plattform, dem Rahmen und den Komponenten

verwendet werden, sind feuchtigkeits- und temperaturempfindlich und können bei kalten Temperaturen Geräusche verursachen.

#### PAIRING-VORGANG:

Bei der Einstellung "gepaart" mit einer geteilten Basisstation kann es zu einer Zeitverzögerung von bis zu 1,5 Sekunden zwischen den einzelnen Verbindungen der Basisstationen kommen.

#### VERSCHLEISS:

Verschleiß ist ein Schaden, der natürlich und unvermeidlich durch normalen Gebrauch oder Alterung entsteht.

#### STOFFPFLEGE:

Um die Lebensdauer Ihres Stoffes zu verlängern, schützen Sie ihn nach Möglichkeit vor direkter Sonneneinstrahlung. Zur punktuellen Reinigung wischen Sie den Bereich mit einem leicht feuchten Schwamm ab oder saugen Sie ihn mit einem weichen Bürstenaufsatz ab, um Partikel zu entfernen. Halten Sie das Gerät mindestens 30 cm (12 Zoll) von direkten Wärmequellen entfernt. Für eine gründlichere Reinigung tupfen Sie verschüttete Flüssigkeiten mit einem sauberen, trockenen Tuch ab. Mit einem sauberen, mit warmem Wasser angefeuchteten Tuch abwischen. Nicht zu nass machen. Um hartnäckigen Schmutz zu entfernen, können Sie eine Bürste mit weichen Borsten verwenden. Um Kratzer zu vermeiden, vorsichtig bürsten. Mit einem sauberen, mit warmem Wasser angefeuchteten Tuch abwischen, um Rückstände zu entfernen. Im Schatten und fern von direkten Wärmequellen trocknen. Wenn nach der Reinigung hartnäckige Flecken sichtbar sind, suchen Sie professionellen Rat auf.

#### PRODUKTBEWERTUNGEN:

Die Hubwerksantriebe sind nicht für einen ununterbrochenen Betrieb von mehr als [2] Minuten innerhalb eines Zeitraums von [18] Minuten oder etwa 10 % Arbeitszyklus ausgelegt. Der Versuch, diese Grenze zu überschreiten oder zu überschreiten, verkürzt die erwartete

Lebensdauer des Produkts und kann zum Erlöschen Ihrer Garantie führen. Massageaktuatoren sind nicht dafür ausgelegt, länger als 30 Minuten ununterbrochen zu arbeiten. Bitte lassen Sie das Massagesystem nach der automatischen Massageabschaltung 30 Minuten ruhen, bevor Sie es neu starten.

#### GEWICHTSGRENZEN:

Dieses Produkt ist nicht für ein Gewicht von mehr als 750 lbs/ 340 kg ausgelegt, einschließlich Matratze und Bettwäsche. Die Basis trägt dieses Gewicht strukturell, sofern es gleichmäßig über die Basis des Bettes verteilt wird. Die verstellbare Basis ist nicht dafür ausgelegt, ein solches Gewicht separat im Kopf- oder Beinbereich zu tragen oder anzuheben. Das Überschreiten dieser Gewichtsgrenze kann zu Schäden am Bett und/oder Verletzungen führen und zum Erlöschen der Garantie führen.

#### WICHTIGE MASSNAHMEN, DIE SIE ERGREIFEN SOLLTEN UND DIE SIE NICHT ERGREIFEN

##### SOLLTEN:

- Verbinden Sie die verstellbare Basis mit dem Überspannungsschutz.
- Verteilen Sie Ihr Gewicht gleichmäßig, während Sie in einer separaten Umgebung schlafen. Eine ungleichmäßige Gewichtsverteilung kann dazu führen, dass die Basis ungleichmäßig ansteigt.
- Bei technischen Fragen wenden Sie sich bitte an den Kundendienst. Drücken Sie die Basis nicht mit Gewalt nach unten, da dies die Laufwerke oder den Rahmen beschädigen könnte.
- Wenn Flecken auftreten, reinigen Sie die verstellbare Basis mit milder Seife und Wasser.
- Bitte beachten Sie, dass für die Verwendung mit verstellbaren Komfortmatratzen verstellbare Untergestelle empfohlen werden.
- Nach Gebrauch und zwischen den Voreinstellungen auf eine flache (horizontale) Position absenken.

- Registrieren Sie Ihre Garantie, sobald Ihr verstellbares Untergestell eintrifft.

##### NICHT:

- Setzen Sie sich auf die Ecken/Kanten der Basiss, da dies den Rahmen, die Pfosten oder den Schaumstoff verformen kann.
  - Kippen Sie die Basis auf die Seite. Andernfalls könnten die Beine und/oder die Beinschrauben beschädigt werden.
  - Wenn Sie jederzeit auf der verstellbaren Basis stehen oder springen, können der Rahmen und die Antriebe beschädigt werden.
  - Ziehen Sie die Basis, um sie zu verschieben. Durch Ziehen an der Basis kann der Rahmen beschädigt, die Muttern/Schrauben beschädigt oder die Beine beschädigt werden. Kaufen Sie Rollen, wenn Sie Ihr Bettgestell regelmäßig bewegen möchten.
  - Legen Sie sich auf die verstellbare Basis oder stehen Sie auf, während Sie das Kopf- und/oder Fußteil in einer beweglichen Position halten. Legen Sie sich flach (horizontal) hin oder stehen Sie von Ihrem Gerät auf.
  - Die Basis umgestalten oder modifizieren. Dadurch erlischt die Garantie.
  - Üben Sie beim Auslösen Druck auf den Kopf- oder Fußbereich aus, wodurch der Rahmen und die Antriebe beschädigt werden können.
- Einhaltung der Anforderungen der Regeln der Fideralen Agentur für Kommunikation:

**HINWEIS:** Dieses Gerät wurde getestet und entspricht den Grenzwerten für ein digitales Gerät der Klasse B gemäß Teil 15 der FCC-Bestimmungen. Diese Grenzwerte sollen einen angemessenen Schutz vor schädlichen Störungen in einer Wohnanlage bieten. Dieses Gerät erzeugt und verwendet Hochfrequenzenergie und kann diese ausstrahlen. Wenn es nicht gemäß den Anweisungen installiert und verwendet wird, kann es schädliche Störungen der Funkkommunikation verursachen. Es gibt jedoch keine Garantie dafür, dass bei einer bestimmten Installation keine Störungen auftreten. Wenn dieses Gerät schädliche Störungen beim Radio- oder



Fernsehempfang verursacht, was durch Aus- und Einschalten des Geräts festgestellt werden kann, wird dem Benutzer empfohlen, zu versuchen, die Störung durch eine oder mehrere der folgenden Maßnahmen zu beheben:

- Richten Sie die Empfangsantenne neu aus oder versetzen Sie sie.
- Erhöhen Sie den Abstand zwischen Gerät und Empfänger.
- Schließen Sie das Gerät an eine Steckdose an, die zu einem anderen Stromkreis gehört als dem, an den der Receiver angeschlossen ist.
- Bitten Sie den Händler oder einen erfahrenen

Radio-/Fernsehentechniker um Hilfe.

ANLEITUNG AUFBEWAHREN.

## pg.5 Ersatzteilliste

Bevor Sie Verpackungsmaterial entsorgen, stellen Sie sicher, dass alle Details berücksichtigt werden.

Sämtliche Elektronik und Komponenten, die installiert werden müssen, befinden sich in Boxen unter der Basis oder sind am Rahmen befestigt.

A) Drahtlose Fernbedienung und (3) AAA-Batterien~

B) Matratzenhalter (2) \*

C) Netzkabel (UK)

D) Netzkabel (EU)

E) Stromversorgung

F) Stromtrennkasten (9-Volt-Alkalibatterie nicht im Lieferumfang enthalten)

G) Verbindungshalterung †\*

H) SmartSync-Kabel ‡

I) Aluminiumbein (4)

Weitere Teile (nicht im Lieferumfang enthalten):

J) Überspannungsschutz

K) 9-Volt-Alkalibatterie (2)

\* Diese Artikel sind zu Versandzwecken an der Basis befestigt.

Vorsichtig vom Boden lösen und beiseite stellen.

‡ Nur für geteilte Twin Long- und Cal King-Basen verfügbar.

~ Wenn der Akku längere Zeit nicht verwendet wird, muss er ausgetauscht werden.

WICHTIG: Zu Ihrer Sicherheit lesen Sie bitte diese Bedienungsanleitung sorgfältig und vollständig durch, bevor Sie dieses Produkt in Betrieb nehmen. Wenn elektrische Komponenten nicht gemäß diesen Richtlinien installiert oder verwendet werden, kann es zu einem Stromschlag kommen.

## pg.6 Basis- und Fernansicht

Head Motor=Kopfantrieb

Foot Motor=Fußantrieb

Massage Motor=Massageantrieb

Underbed Lighting=Beleuchtung unter dem Bett

USB Port=USB-Anschluss

Control Box=Steuereinheit

Underbed Lighting and Remote Torch Control On/Off

=Unterbettbeleuchtung und fernsteuerung der taschenlampe ein-/aus

Massage All On/Off=Massage vollständig ein-/aus

Head Massage On/Off (3 Levels of Intensity)

=Kopfmassage ein/aus (3 Intensitätsstufen)

Foot Massage On/Off (3 Levels of Intensity)

=Fußmassage ein/aus (3 Intensitätsstufen)

Lifts Head=Hebt den Kopf

Lifts Foot=Hebt Beine

Lowers Head=Senkt den Kopf

Lowers Foot=Senkt die Beine

Flat Preset Position=Flache Zielposition

Preset Position #1=Zielposition #1

Preset Position #2=Zielposition #2

Zero G® Preset Position=Zielposition Zero G®

## pg.7 Kurzanleitung

Nicht zum Skalieren. Nur zur Veranschaulichung. Lesen Sie alle Anweisungen,

bevor Sie mit der Installation beginnen.

## ELEKTRONIKÜBERSICHT

Power Cord (EU)=Netzkabel (EU)

Power Cord (UK)=Netzkabel (UK)

Power Supply=Stromversorg

Input Cord=Eingangskabel

Control Box=Steuerblock

Head Motor=Kopfantrieb

Foot Motor=Fußantrieb

Sonic Massage Motor=Klangmassageantrieb

Acoustic Motor Extension Cord=Akustische Motorerweiterung

Massage Motor Splitter Cable=Massageantrieb Splitterkabel

Underbed Lighting=Beleuchtung unter dem Bett

USB Charger=USB-Ladegerät

Wireless Remote Control=Drahtlose Fernbedienung

Battery Backup Strap=Notfall-Batterie

Für den Einbau der Split-Einheit siehe Seite 13.

## pg.8-9 Installationsanleitung

Installieren Sie die Basis immer zu zweit.

### SCHRITT 1

Platzieren Sie den Bettbasiskasten an der gewünschten Stelle so, dass der obere Teil so, dass die Oberseite des Kastens nach oben gerichtet ist.k.

Entfernen Sie die Befestigungsbänder und das Verpackungsmaterial und achten Sie darauf, den Karton nicht mit scharfen Gegenständen zu durchbohren.

### SCHRITT 2

Nehmen Sie die Bettbasis mit der Unterseite nach oben aus dem Karton.

Wenn Sie eine Basis ohne Beine installieren, fahren Sie bitte mit Schritt 4 fort.

### SCHRITT 3

Zur Montage von Halterungen am Kopfende des Bettes (separat

erhältlich) siehe Anleitung auf Seite 17.

Die Beine sind optional. Um die Beine zu installieren, schieben Sie die Unterlegscheibe mit der vertieften Seite zum Bein zeigend auf die Beinschraube und ziehen Sie sie handfest an. Nicht zu fest anziehen.

### SCHRITT 4

Informationen zur Synchronisierung zweier Basen finden Sie in der ausführlichen Installationsanleitung auf Seite 13.

Suchen Sie den Band für die Backup-Batterie und installieren Sie ihn (2) 9-Volt-Alkalibatterien (nicht im Lieferumfang enthalten).

### SCHRITT 5

Wickeln Sie das Eingangsnetzkabel ab (verbunden mit dem Stromanschluss des Steuerkastens) und schließen Sie es an eine Stromquelle an.

### SCHRITT 6

Wickeln Sie das Netzkabel ab und schließen Sie es an eine Stromquelle an. Stellen Sie das Netzteil auf den Boden und schieben Sie es aus der Basis. Stellen Sie sicher, dass das Netzteil und alle angeschlossenen Kabel zum richtigen Überspannungsschutz geführt sind.

### SCHRITT 7

Drehen Sie die Basis vorsichtig um. Wichtig: Zum Bewegen der Bettbasis sind zwei Personen erforderlich. Nicht auf dem Boden schleifen. Legen Sie den Rahmen nicht auf die Seite, übermäßiger Druck kann die Beine beschädigen (während des Gebrauchs).

### SCHRITT 8

Schließen Sie das Netzkabel an eine Stromquelle an.

Der Einsatz eines Überspannungsschutzgerätes wird empfohlen.

### SCHRITT 9

Testen Sie kurz die Funktionen der Fernbedienung, um sicherzustellen, dass die Einstellung korrekt ist, bevor Sie die Matratze auf die Unterlage legen. Bringen Sie die Unterlage wieder in eine flache Position, bevor Sie die Matratze darauf legen.

### SCHRITT 10



Installieren Sie die Matratzenanker, indem Sie beide Enden der

Matratzenanker in die Löcher auf der Plattform einführen und sie mit der gebogenen Seite nach oben ablegen.  
Jetzt ist die Einrichtung abgeschlossen! Testen Sie alle Funktionen der Fernbedienung.

## pg.10-11 Fernbedienung

Die Fernbedienung wird an eine verstellbare Basis angeschlossen.  
Zum Betrieb der Fernbedienung sind drei (3) AAA-Batterien erforderlich.

### MASSAGEFUNKTION


- ⊗ Alle Massage ein-/ausschalten.  
Schalten Sie die Massagefunktion für Kopf und Füße ein.
-  Mit der Taste HEAD + - wird die Kopfmassage eingeschaltet.  
Gehen Sie alle 3 Massageintensitätsoptionen durch.
-  Mit der Taste FOOT + - wird die Fußmassage aktiviert. Gehen Sie alle 3 Massageintensitätsoptionen durch.

### EINSTELLUNG

- ⤴ Die HEAD-Pfeile heben und ⤵ Die FOOT-Pfeile heben und  
⤵ senken den Kopf der Basis. ⤴ senken den Fußteil der Basis.

⊖ FLAT voreingestellte flache One-Touch-Position.

### ONE-TOUCH-TASTEN

- ⊙ Klicken Sie, um das Licht unter dem Bett einzuschalten. Klicken Sie erneut, um es auszuschalten.
-  ZERO-G® voreingestellte Position mit einem Tastendruck. Zero-G® stimmt Ihre Füße auf ein höheres Niveau als Ihr Herz und hilft so Entlasten Sie den unteren Rücken und verbessern Sie die Durchblutung.
- ⓘ Zielposition #1.
- ⓘ Zielposition #2.

Eine programmierbare Funktion ermöglicht das Speichern benutzerdefinierter Positionen. Bitte lesen Sie vorher alle nachstehenden Anweisungen, um Ihre Benutzereinstellungen auf der Fernbedienung anzupassen.

Schritt 1: Bringen Sie das Kopf- und Fußteil in die gewünschte Position.  
Schritt 2: Halten Sie eine der voreingestellten Tasten [I, II] innerhalb von 7 Sekunden gedrückt.

Die Position ist nun gespeichert.

HINWEIS: Um die Voreinstellungstasten auf ihre ursprünglichen Werkseinstellungen zurückzusetzen, halten Sie die FLAT- und ZERO-G®-Tasten gleichzeitig mindestens 10 Sekunden lang gedrückt. Die ursprünglichen Einstellungen werden wiederhergestellt.

Um die gespeicherte Position zu korrigieren, wiederholen Sie die Schritte 1 und 2 und wiederholen Sie die Schritte. Die Position wird gespeichert.

Kindersicherung

Aktivieren Sie die Kindersicherung

Halten Sie die FLAT + HEAD UP-Taste länger als 3 Sekunden gedrückt.

Die Hintergrundbeleuchtung blinkt zweimal und zeigt damit an, dass die Kindersicherung erfolgreich aktiviert wurde.

Wenn die Kindersicherung aktiviert ist, drücken Sie eine beliebige Taste. Das verstellbare Bett reagiert nicht und das Licht der Fernbedienung blinkt zur Erinnerung zweimal.

Kindersicherung deaktivieren

Halten Sie die FLAT + FOOT UP-Taste länger als 3 Sekunden gedrückt.

Die Hintergrundbeleuchtung blinkt zweimal und zeigt damit an, dass die Kindersicherung erfolgreich aufgehoben wurde.

Wenn die Kindersicherung aufgehoben wird, drücken Sie eine beliebige Taste, das verstellbare Bett kehrt in die normale Position zurück.

## pg.12 Kopplung mit einer Fernbedienung

Fernkopplung

Die im Lieferumfang enthaltene Original-Fernbedienung ist bereits mit der verstellbaren Basis verbunden. Sind keine weiteren Maßnahmen erforderlich. Wenn die Fernbedienung nicht mit der Basis verbunden ist, befolgen Sie die folgenden Schritte.

## SCHRITT 1

Ziehen Sie das Netzkabel aus der Steckdose. Warten Sie 1 Minute und schließen Sie es dann wieder an die Steckdose an. Führen Sie Schritt 2 innerhalb von 10 Sekunden aus, während die Kontrollbox-Anzeige blinkt.

Power Supply=Stromversorgung

Power Cord=Stromkabel

Wechselstromkabel (Europa)

Wickeln Sie das Eingangsnetzkabel (an den Stromanschluss der Steuerbox angeschlossen) ab und schließen Sie den Stecker an die Stromversorgung an.

Bitte verwenden Sie das Wechselstromkabel für Betten, die in Europa versendet werden.

Netzkabel (UK)

Wickeln Sie das Eingangsnetzkabel ab (verbunden mit dem Stromanschluss des Steuerkastens) und schließen Sie es an eine Stromquelle an. Bitte verwenden Sie das Wechselstromkabel für Betten auf dem britischen Markt.

## SCHRITT 2

Entfernen Sie die hintere Abdeckung der Fernbedienung und halten Sie die PAIR-Taste gedrückt. Die PAIR-Taste wird blau und blinkt.

Wenn die PAIR-Taste aufhört zu blinken, hört auch die Anzeige auf der Steuerbox auf zu blinken. Lassen Sie die PAIR-Taste los. Die Fernbedienung ist nun mit der verstellbaren Basis verbunden.

PAIR Button=PAIR Taste

## SCHRITT 3

Testen Sie alle Fernbedienungsfunktionen. Sollten die Fernbedienungstasten keinen Einfluss auf die Bewegung der verstellbaren Basis haben, wiederholen Sie den Vorgang bitte noch einmal.

## **pg.13 Synchronisierung von zwei Basen (optional)**

Das Synchronkabel ist im Lieferumfang der Basis enthalten. Nicht

verfügbar für Queen-, Full- oder Full-Long-Basis.

Das Synchronisierungskabel verbindet zwei Steuerboxen mit einer Fernbedienung, um die beiden Basen zu synchronisieren.

## SCHRITT 1

Trennen Sie die Basen vom Stromnetz.

## SCHRITT 2

Stecken Sie das Synchronisierungskabel in den Multifunktionsanschluss jeder Steuerung Kasten.

## SCHRITT 3

Schließen Sie die Pumpen wieder an die Stromversorgung an.

## SCHRITT 4

Stellen Sie sicher, dass alle Kabel sicher befestigt sind. Beide Fernbedienungen steuern nun beide Basen gleichzeitig.

Das System ist nun verbunden. Durch Drücken der Tasten auf einer der Fernbedienungen werden beide Basen gleichzeitig gesteuert.

Control Box 1&2=Steuergerät 1&2

Sync Cord=Synchronisationskabel

## LEISTUNGSHINWEISE

Wenn die Basen nicht übereinstimmen, werden die mechanischen Positionen durch Drücken der FLAT-Taste neu synchronisiert.

## **pg.14 Verbindungsgurt (optional)**

Die Verbindungsband sind bei Auslieferung am Grundrahmen befestigt.

Für die Montage der Verbindungsbänder werden Beine benötigt.

## SCHRITT 1

Wenn die Basen in Position sind, lockern Sie beide Beine leicht, um den Band an der Beinschraube zwischen der Beinscheibe und dem Rahmen zu befestigen.

## SCHRITT 2

Schieben Sie das Seitenteil (a) der Verbindungsplatte auf den Fußbolzen. Drehen Sie den Band und verbinden Sie die Seite (b) mit der Fußschraube. Befestigen Sie den Band, indem Sie ihn nach links

schieben.

## SCHRITT 3

Ziehen Sie die Beine wieder fest. Nicht zu fest anziehen. Verwenden Sie den verbleibenden Band und wiederholen Sie den Vorgang mit der anderen Seite der Basis.

## pg.15 Batterieband

Für die Ausschaltfunktion sind zwei (2) 9-Volt-Alkalibatterien erforderlich, die nicht im Lieferumfang enthalten sind.

### SCHRITT 1

Trennen Sie das Netzteil vom Eingangskabel.

### SCHRITT 2

Schließen Sie das Notstromband an (2) 9-Volt-Alkalibatterien an.

Mischen Sie keine Markenbatterien.

### SCHRITT 3

Verbinden Sie das Ende des Notstromkabels mit dem Eingangsstromkabel, das an die Steuerbox angeschlossen ist.

Battery Backup Strap=Backup-Batterieband

Input Cord=Eingangskabel

Control Box=Steuerblock

Hinweis: Trennen Sie das Backup-Stromversorgungsband, nachdem der Notfall behoben ist, da das System weiterhin über die Batterien mit Strom versorgt wird, auch wenn diese nicht verwendet werden.

### SCHRITT 4

Verwenden Sie die Fernbedienung, um die Basis in eine flache Position abzusenken.

## pg.16 Bluetooth-Einstellungen

Um die Basis von einem Smart-Gerät aus zu steuern, müssen Sie die „Ergo Slim“-App aus dem App Store (Apple) oder Google Play Store (Android) auf das gewünschte Smart-Gerät herunterladen.

### SCHRITT 1

Schließen Sie das Bett an eine Stromquelle an.

### SCHRITT 2

Öffnen Sie die Ergo Slim-App und wählen Sie das Menüsymbol.

### SCHRITT 3

Wählen Sie Bluetooth V4.0 und „Automatische Verbindung“.

### SCHRITT 4

Klicken Sie auf „Gerät auswählen“.

### SCHRITT 5

Schließen Sie das Bett an eine Stromquelle an. Wählen Sie die gewünschte Basis. Drücken Sie den Zurück-Pfeil, um zu den Einstellungen zurückzukehren, und wählen Sie Fernbedienung, um zum Fernbedienungsbildschirm zurückzukehren.

\*Anweisungen zur Fernverwaltung finden Sie auf Seite 10.

### ANMERKUNGEN

- Bei Verwendung mehrerer Basen: Eine eindeutige Identifikationsnummer finden Sie auf einem Aufkleber am Adapter
- Halten Sie die RESET-Taste 5 Sekunden lang gedrückt, um die konfigurierten Voreinstellungen auf die Werkseinstellungen zurückzusetzen.
- Um die Verbindung zu trennen, wählen Sie „Dieses Gerät vergessen“ aus dem Bluetooth-Einstellungsmenü.
- Hilfe beim Aufbau einer Bluetooth-Verbindung finden Sie im Benutzerhandbuch Ihres Geräts oder wenden Sie sich direkt an den Hersteller.

Hilfe zum Einrichten einer Bluetooth®-Verbindung finden Sie im Benutzerhandbuch Ihres Smart-Geräts oder wenden Sie sich direkt an den Hersteller.

## pg.17 Bettkopfteilverhalten

### SCHRITT 1

Stellen Sie sicher, dass der Boden unten ist

Die Basis zeigt nach oben. Montageteile: 4 Torx-Schrauben, 2 kurze Schrauben, 2 Muttern, 2 Klammern.

## SCHRITT 2

Legen Sie die Stütze flach auf die Ecke der Basis. Stellen Sie sicher, dass das Beinloch und das kleine Bolzenloch in der unteren Ecke der Halterung ausgerichtet sind.

## SCHRITT 3

a) Führen Sie das Bein in das Hauptloch ein und drehen Sie es fest. Nicht zu fest anziehen.

b) Befestigen Sie die Außenkante der Halterung mit einer kurzen Schraube und einer Mutter.

## SCHRITT 4

Wiederholen Sie die Schritte 2–3, um eine weitere Halterung zu installieren.

## SCHRITT 5

Richten Sie das Kopfende des Bettes an der Halterung aus und schieben Sie das Kopfende des Bettes auf die Schiene der Halterung.

## SCHRITT 6

Befestigen Sie das Kopfteil mit Blumenschrauben an der Halterung.

- Entfernen und ersetzen Sie alle Batterien in der Fernbedienung und schließen Sie die Fernbedienung wieder an die Basis an (siehe Seite 12).

Wenn das Problem weiterhin besteht, befolgen Sie die obigen Anweisungen, suchen Sie die Seriennummer auf der Garantiekarte oder auf der Rückseite der Fernbedienung.

## **pg.18 Fehlerbehebung**

Wenn eine oder mehrere Funktionen der Bettbasis nicht mehr funktionieren:

- Überprüfen Sie unter dem Bettgestell, ob die Kabelverbindungen sicher sind und dass keine Kabel oder Bettzeug die Bewegung des Bettgestells behindern.
- Überprüfen Sie, ob die grüne LED am Steuerkasten leuchtet. Wenn die Anzeige aus ist, überprüfen Sie, ob die Eingangskabel und Netzkabel richtig angeschlossen sind.
- Trennen Sie die Basis 1 Stunde lang vom Stromnetz, um die Elektronik zurückzusetzen.
- Schließen Sie das Bettgestell an eine andere Steckdose an oder testen Sie die Steckdose mit einem anderen funktionierenden Gerät (die Verwendung eines geerdeten Überspannungsschutzes wird empfohlen).

## **pg.1-4 Medidas de precaução e instrução de operações**

Atenção: Declarações importantes de renúncia de responsabilidade da técnica de segurança

Leia toda a instrução antes de usar sua base regulada. Guarde esta instrução.

**PARA REDUZIR O RISCO DE CHOQUE ELÉTRICO, AS QUEIMADURAS, O INCÊNDIO OU AS LESÕES:**

Para garantir a máxima segurança e operações ligue a base de cama ao filtro de rede (não forma parte de kit). A base de cama deve-se ligar apenas diretamente à tomada de parede ou ao filtro de rede (é recomendado com insistência). Desligue sempre a base da tomada elétrica antes de manutenção de alguma peça da base de cama. Para reduzir o risco de choque elétrico, antes de limpar desligue a base de cama da rede elétrica. Para uma desligação segura convença-se que a base está na posição horizontal com motores desativados, e desligue-a da fonte de alimentação. Mantenha o fio de alimentação longe das superfícies aquecidas. Nunca use a base quando seus orifícios de ventilação forem bloqueados. Não permita a entrada de felpa, o cabelo, etc. nos orifícios de ventilação. Não deixe cair e não insira quaisquer objetos em quaisquer orifícios. Deixar de usar a base de cama e chamar o centro de serviço qualificado quando: for danificado o fio de alimentação ou a ficha, esta não funcionar devidamente ou for deixado cair na água. Use esta base de cama apenas segundo destino, tal como é descrito neste manual. Não use os acessórios / bocais que não são recomendados pelo produtor. Será necessária uma vigilância minuciosa quando a base de cama for usada pelas crianças, os convalescentes, os inválidos ou os mascotes, ou se eles ficam perto da base de cama. Uma ligação de equipamento incorreta pode levar ao choque elétrico, o incêndio ou o trabalho incorreto da base de cama. Se a ficha não convier para sua tomada, chame o electricista qualificado para instalar uma tomada conveniente. Uma mudança não sancionada ou se não usar a tomada de parede ou de dispositivo de proteção contra a sobretensão, isso poderá levar à anulação de sua garantia sobre a peça elétrica.

## **MASCOTES E CRIANÇAS:**

Utilize imediatamente todos os materiais de embalagem, já que isso pode levar à estrangulação de crianças pequenas e os mascotes. Para evitar as lesões não é recomendado permitir as crianças e mascotes pequenas jogarem sobre a cama ou debaixo dela. As crianças não devem usar a base de cama sem supervisão de adulto.

## **MARCA-PASSOS:**

Alguns artigos contêm os ímãs de neodímio que podem criar interferências para tais dispositivos como o marca-passo, ICD e quaisquer outros dispositivos sensíveis aos campos magnéticos. É recomendado **COM INSISTÊNCIA** que os proprietários de tais dispositivos médicos consultem seu médico assistente antes de usar os artigos que contêm os ímãs de neodímio. Também é possível que alguns marca-passos podem interpretar erroneamente as vibrações de função adicional de massagem como movimento / exercício. É um fenômeno comum para qualquer artigo que cria o movimento vibrante e não pode influir sobre o marca-passo. Por favor, consulta seu médico antes de usar as funções de massagem.

## **USO EM CASA E PADRÕES DE HOSPITAL:**

As bases reguladas de camas Ergomotion são destinadas apenas para o uso doméstico. Esta base não foi projetada como uma cama de hospital e não está em conformidade com padrões de hospital. Não use esta base com equipamento para a terapia com oxigênio de tipo de barraca ou perto de gases explosivos.

## **FUNÇÕES ADICIONAIS DE SEGURANÇA:**

As rodetas (acessório adicional para os pés) são equipadas com pequenas rodas de fixação para evitar o movimento não desejado. Inclusive se as rodetas forem bloqueadas a não poderem girar, poderão deslizar. Os acionamentos para a baixada livre de cabeça e os pés são destinados para baixar o colchão apenas sob ação da força de gravidade, mas nunca puxam para baixo, o que reduz ao mínimo a

oportunidade a se atascar.

## MECANISMOS DE LEVANTAMENTO / BAIXADA:

A função de levantamento / baixada emite um som de zumbido mínimo durante o trabalho. É normal. Durante o trabalho as rodas do braço de levantamento estão em contato com suporte da plataforma de base. Este contato pode levar ao contato de metal com metal e de metal com plástico. Isso cria uma pequena tensão sobre os componentes em movimento, e a ressonância será reduzida até um nível mínimo. Em caso quando aparecer um ruído excessivo ou uma vibração, mude a direção de movimento da base (para cima ou para baixo) com ajuda de controlo remoto. Isso deve pôr os mecanismos de acionamento da base na posição de funcionamento devida. Durante as operações normais de base, as rodas que permitem a cama conservar a distância até a parede, estarão em contato com suportes de aço da base criando o ruído de contato. Em caso de entrada, saída o movimento de peso sobre a base, pode que se ouça este ruído de contato durante o contato de rodas. É normal.

## MATERIAIS:

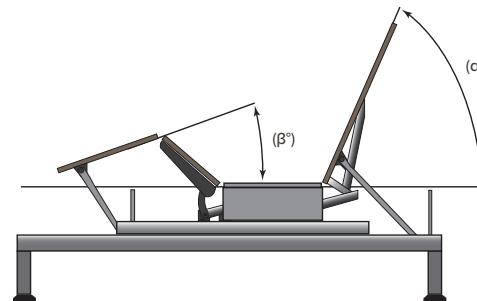
As bases reguladas Ergomotion são produzidas de diferentes materiais, incluindo a madeira, os metais, os plásticos e os tecidos. A tensão, a pressão ou o movimento aplicados ao quadro, a plataforma ou a caixa durante o uso comum, podem levar até o aparecimento de som ouvido.

## PROCEDIMENTO DE MASSAGEM E CONDIÇÕES DE UBICAÇÃO:

A função de massagem vai emitir o som acústico durante o trabalho normal. Na medida de aumento da intensidade de massagem o tom de som reforça-se. O volume deste sinal depende diretamente da localização. Por exemplo, durante a demonstração na sala de demonstração o ruído circundante do meio ambiente cobrirá parcialmente o ruído da função de massagem. No entanto, durante a instalação nas condições de casa com assoalhos de madeira cobertos

com tapetes ou sem eles, a intensidade do som de massagem será mais notável. Para reduzir ao mínimo esta ressonância coloque um pedaço de tapete ou as peças sobrepostas de borracha debaixo de cada pé ou a peça sobreposta de base. Durante a montagem será possível uma vibração ou o ruído da caixa externa de cama, os suportes de cabeceira, os encostos ou fins de cama se os parafusos não forem apertados densamente.

Os níveis de intensidade de massagem 1-6 representam consigo o número de revoluções do motor por minuto. O nível 6 assegura o número máximo de revoluções por minuto. No entanto, isso não significa que a sensação de vibração for mais forte. Segundo material de colchão, a espessura e a posição de utilizador, a sensação de vibração será diferente. Recomendamos o utilizador selecionar tal ajuste de intensidade de montagem que lhe convir mais de todo. É importante compreender a física de vibrações. Igualmente como o motor pode funcionar irregularmente durante a marcha em vazio, durante o aumento de revoluções ao mesmo tempo mudará a vibração.



## ACEITABILIDADE

Todas as bases reguladas Ergomotion segundo marca e modelo, são projetadas e feitas de tal maneira que cumpram suas funções de acordo com parâmetros estabelecidos de controlo da qualidade. As



bases são submetidas às verificações minuciosas e estritas durante o processo de controlo de qualidade para garantir que funcionarem de acordo com estes padrões durante as operações normais. As operações normais são determinadas de seguinte maneira: A base regulada deve passar as operações com colchão e carga. Os procedimentos de teste requerem a realização de provas durante todo o prazo de serviço com carga distribuída até 120 kg. O ângulo (designado com “ $\alpha$ ” na figura 1) entre a seção traseira e a seção plana para diferentes configurações de plataforma de suporte do colchão deve ser  $\pm 3^\circ$ , o que corresponde à tolerância até 1 ½ de pulgada. O ângulo (designado com “ $\beta$ ” na figura 1) entre a seção plana e a seção para os pés para diferentes configurações de plataforma para o suporte de colchão deve ser  $\pm 3^\circ$ , o que corresponde à tolerância até ¾ de pulgada.

É considerado que qualquer base regulada que fica dentro dos limites destas tolerâncias estabelecidas está em conformidade com padrões de controlo de qualidade de produtor.

#### ISSO É O CHEIRO DE “NOVO PRODUTO”:

Algumas pessoas notam um cheiro ligeiro de sua nova base regulada, isso pode estar ligado com processo de produção de nosso material. Este cheiro é normal e pelo habitual desaparece após o produto se encontrar com Você. No entanto, por vezes este cheiro ainda pode ser notado. Habitualmente ele desaparecerá passadas várias semanas, levando em conta o asseguramento de uma ventilação suficiente do artigo e o local circundante.

#### PERÍODO DE DESCANSO:

Você pode acelerar o período de adaptação, simplesmente passando o tempo sobre a cama regulada, se ocupando de tais tipos de atividades como a leitura, a visualização de televisor ou os jogos com crianças ou netos. O movimento adicional ajudará a base regulada reagir à mudança de peso e temperatura. Alguns materiais dos que são feitas nossas bases reguladas, tais como a madeira, os metais e os

plásticos usados na plataforma, o quadro e os componentes, são sensíveis ao conteúdo de umidade e temperatura e podem emitir os sons nas condições mais frias.

#### OPERAÇÃO DE CONEXÃO:

Durante o uso de ajuste “par” com base distribuída pode ser observado um atraso de tempo até 1,5 segundos entre cada conexão das bases.

#### DESGASTE:

Desgaste é uma danificação que é natural e surge inevitavelmente como resultado de uso normal ou o envelhecimento.

#### TRATAMENTO DO TECIDO:

Para prolongar o prazo de serviço de seu tecido, se for possível proteja ele contra os raios de sol diretos. Para a limpeza por pontos limpe o setor com uma esponja úmida ou limpe com aspirador utilizando a escova de bocal macia para eliminar as partículas. Mantenha o dispositivo a uma distância não inferior a 30 cm (12 polegadas) das fontes diretas de calor. Para uma limpeza mais profunda molhe o tecido seco limpo com água derramada. Esfregue com tecido limpo molhado com água quente. Não molhe demasiado. Para eliminar a sujidade penetrada pode-se usar a escova com cerdas macias. Para evitar a aparição de arranhões esfregue com cuidado utilizando a escova. Esfregue com tecido limpo molhado com água quente para eliminar os restos. Secar na sombra longe das fontes diretas de calor. Se após a limpeza apareçam os traços estáveis visíveis, chame a consulta profissional.

#### RANKING DOS PRODUTOS:

Os acionamentos de elevador não são destinados para um trabalho ininterrupto de mais de [2] minutos durante o período de [18] minutos ou aproximadamente 10% do ciclo de trabalho. Uma tentativa de deixar de lado ou superar este índice reduzirá o prazo de serviço do artigo

esperado e pode levar à anulação de garantia. Os acionamentos de massagem não são destinados para o trabalho ininterrupto de mais de 30 minutos por uma vez. Por favor, permita que o sistema de massagem se descanse durante 30 minutos após a desativação automática de massagem antes de iniciar novamente.

## RESTRICÇÕES DE PESO:

Este artigo não é destinado para um peso que supera 750 libras / 340 kg, incluindo o colchão e a roupa de cama. Construtivamente a base suportará este peso a condição que ele for distribuído regularmente sobre a base de cama. A base regulada não é destinada para o suporte ou elevação de tal peso apenas por separado nas seções de cabeça ou os pés. A superação desta restrição pelo peso pode levar à danificação de cama e/ou lesões, assim como à anulação de garantia.

## AÇÕES IMPORTANTES QUE DEVE-SE E NÃO DEVE-SE FAZER:

- Ligue a base regulada ao dispositivo de proteção contra a sobretensão da corrente.
- Distribua regularmente o peso durante o sono na instalação individual. A distribuição irregular de peso pode levar à elevação irregular da base.
- Conforme quaisquer questões técnicas chame o serviço de atendimento a cliente. Não tente baixar a base por força, isso pode levar à danificação de acionamentos ou o quadro.
- Se apareçam as manchas use o sabão suave e a água para a limpeza da base regulada.
- Leve em conta que as bases reguladas são recomendadas de usar com colchões confortáveis regulados.
- Baixe à posição plana (horizontal) depois de uso e dentro de intervalos entre os pré-ajustes.
- Registre sua garantia enquanto for entregue sua base regulada.

## NÃO:

- Tome assento sobre os ângulos / bordos da base, isso pode levar à

deformação de armação, os postes ou espuma de plástico.

- Incline a base para um lado. Isso pode levar à danificação dos pés e/ou parafusos dos pés.
- Fique em pé ou salte sobre a base regulada em qualquer momento, isso pode levar à danificação do quadro e acionamentos.
- Arraste a base para movê-la. Arrastar a base pode levar à danificação do quadro, as porcas / parafusos ou a quebra dos pés. Adquira as rodetas se planificar mover regularmente a base de sua cama.
- Deite-se ou levante-se da base regulada suportando a posição da seção de cabeça e/ou dos pés na posição de charneira. Deite-se ou levante-se de seu dispositivo na posição plana (horizontal).
- Refaça ou modifique a base. Isso levará à anulação de garantia.
- Pulse a seção de cabeça ou os pés quando pôr em movimento, o que pode levar à danificação do quadro e acionamentos.

Conformidade com requisitos das Regras da Agência federal de comunicação:

**OBSERVAÇÃO:** Este equipamento foi testado e reconhecido como correspondente às requisições feitas com respeito aos dispositivos digitais da classe B, de acordo com parte 15 das Regras da Agência federal de comunicação. Estas restrições são destinadas para assegurar uma proteção razoável de interferências nocivas nos locais residenciais. Este equipamento gera, usa e pode irradiar a energia de radiofrequência, e se ele for instalado e usado não de acordo com instruções, poderá criar umas interferências nocivas para a radiocomunicação. No entanto, não existe nenhuma garantia que em alguma instalação concreta apareçam as interferências. Se este equipamento crie efetivamente as interferências nocivas para a recepção dos sinais de rádio- ou televisão, o que pode-se determinar por meio de ativação e desativação do equipamento, será recomendado que o utilizador tente eliminar as interferências com ajuda de uma das seguintes medidas:

- Re-orientar ou mudar de lugar a antena de recepção.
- Aumentar a distância entre o equipamento e o receptor.

- Ligue o equipamento à tomada no circuito que distingue-se da qual for ligado o receptor.
- Chame a ajuda de revendedor ou o especialista experimentado de rádio / televisão.

GUARDE ESTA INSTRUÇÃO.

## pg.5 Lista das peças de recambio

Antes de atirar fora os materiais de embalagem convença-se que forem levados em conta todos os detalhes.

Todos os equipamentos eletrônicos e componentes que for necessário instalar são ubicados nas caixas debaixo da base ou fixados ao quadro.

- A) Controlo remoto sem fios e (3) pilhas de tipo AAA ~
- B) Fixador do colchão (2) \*
- C) Cabo de alimentação (Grã-Bretanha)
- D) Cabo de alimentação (UE)
- E) Fonte de alimentação
- F) Unidade de desativação de alimentação (a pilha alcalina de 9 volts não forma parte de kit)
- G) Barra de conexão †\*
- H) Fio SmartSync ‡
- I) Pé de alumínio (4)

Demais peças (não formam parte de kit):

- J) Proteção contra a sobretensão
- K) Pilha alcalina de tensão de 9 volts (2)

\* Estes objetos são fixados à base para os objetivos de entrega.

Tire com cuidado da base e coloque de lado.

‡ Forma parte apenas das bases separadas Twin Long e Cal King.

~ Se bateria recarregável não for usada durante muito tempo, será necessário substitui-la.

**IMPORTANTE!:** Com finalidade de sua segurança leia com atenção e interiramente o manual de operações antes de começar usar este artigo. Se os componentes elétricos forem instalados ou usados não

de acordo com estas recomendações, isso poderá levar ao choque elétrico.

## pg.6 Revista básica e remota

Head Motor=Acionamento de cabeça

Foot Motor=Acionamento para os pés

Massage Motor=Acionamento de massagem

Underbed Lighting=Iluminação debaixo de cama

USB Port=porto USB

Control Box=Unidade de controlo

Underbed Lighting and Remote Torch Control On/Off

=Ligar/desligar iluminação sob a cama e controlo remoto da lanterna

Massage All On/Off=Massagem Ativado / desativado por completo

Head Massage On/Off (3 Levels of Intensity)

=Ligar/desligar a massagem da cabeça (3 níveis de intensidade)

Foot Massage On/Off (3 Levels of Intensity)

=Ligar/desligar a massagem dos pés (3 níveis de intensidade)

Lifts Head=Levanta a cabeça

Lifts Foot=Baixa a cabeça

Lowers Head=Levanta os pés

Lowers Foot=Baixa os pés

Flat Preset Position=Posição plana dada

Preset Position #1=Posição dada #1

Preset Position #2=Posição dada #2

Zero G® Preset Position=Posição dada Zero G®

## pg.7 Manual com informação breve

Não é para escalar. Apenas para a ilustração. Leia todas as instruções antes de começar a instalação.

REVISTA DE DISPOSITIVOS ELETRÔNICOS

Power Cord (EU)=Cabo de alimentação (UE)

Power Cord (UK)=Cabo de alimentação (Grã-Bretanha)

Power Supply=Fonte de alimentação

Input Cord=Fio de entrada

Control Box=Unidade de controlo  
Head Motor= Acionamento de cabeça  
Foot Motor=Acionamento para os pés  
Sonic Massage Motor=Acionamento acústico de masagem  
Acoustic Motor Extension Cord=Barra de extensão de motor acústico  
Massage Motor Splitter Cable=Acionamento de massagem Cabo bifurcador  
Underbed Lighting=Iluminação debaixo de cama  
USB Charger=Dispositivo de carga USB  
Wireless Remote Control=Controlo Controlo remoto  
Battery Backup Strap=Pilha de reserva  
Durante a instalação de unidade separada ver pág. 13.

## **pg.8-9 Manual de instalação**

Instale sempre a base em dois.

### **PASSO 1**

Instale a caixa de base de cama em um local necessário de tal maneira que a parte superior da caixa for orientada para cima.

Tire as fitas de fixação e os materiais de embalagem observando que não for furada a caixa com alguns objetos agudos.

### **PASSO 2**

Extraia a base de cama da caixa de tal maneira que a parte inferior da base for orientada para cima.

Se Você instala a base sem pés, por favor, vá ao passo 4.

### **PASSO 3**

Para a instalação de suportes na cabeceira de cama (são vendidos aparte) ver as instruções na pág. 17.

A disponibilidade dos pés é uma opção. Para instalar os pés ponha a arruela ao parafuso do pé com lado afogado, orientado até o pé, e aperte a mão. Não aperte demasiado forte.

### **PASSO 4**

Para sincronizar duas bases ver a instrução detalhada de instalação na pág. 13.

Encontre a pequena correia para a bateria recarregável de reserva e

instale (2) pilhas alcalinas com tensão de 9 volts (não formam parte de kit).

### **PASSO 5**

Desenrole o fio de alimentação de entrada (ligado ao desengate de alimentação da unidade de controlo) e ligue-o à fonte de alimentação.

### **PASSO 6**

Desenrole o fio de alimentação e ligue à fonte de alimentação. Instale a unidade de alimentação sobre o assoalho e faça-o sair da base. Convença-se que a fonte de alimentação e todos os cabos ligados forem orientados ao dispositivo necessário de proteção contra a sobretensão.

### **PASSO 7**

Vire a base com cuidado. É importante: Para o movimento da base de cama serão requeridas duas personas. Não arrastre sobre o assoalho. Não coloque o quadro sobre o lado, a pressão excessiva pode danificar os pés (durante o uso).

### **PASSO 8**

Ligue o fio de alimentação à fonte de alimentação.

É recomendado usar o dispositivo de proteção contra a sobretensão.

### **PASSO 9**

Teste rapidamente as funções de controlo remoto para se convencer do carácter correto de ajuste antes de colocar o colchão sobre a base. Volte a base até a posição plana, antes de colocar o colchão em cima.

### **PASSO 10**

Instale os fixadores do colchão inserindo ambos extremos de fixadores do colchão nos orifícios sobre a plataforma e colocando-os com lado curvado para cima.

Agora o ajuste é finalizado! Teste todas as funções no controlo remoto.

## **pg.10-11 Controlo remoto**


O controlo remoto é ligado à base regulada.


Para o funcionamento de controlo remoto требуются(3) pilhas de tipo AAA.

## FUNÇÃO DE MASSAGEM


(X) Massagem tudo Ativado / Desativado.


Ative a função de massagem tanto para a cabeça, tanto para os pés.

 Botão HEAD + - ativar a massagem da cabeça. Passe todas as 3 variantes de intensidade de massagem.

 Botão FOOT + - ativar a massagem dos pés. Passe todas as 3 variantes de intensidade de massagem.

## AJUSTAR

 As flechas HEAD levantam e baixam a parte da cabeça da base.

 As flechas FOOT levantam e baixam a parte dos pés da base.

(-) FLAT a posição plana dada com um toque.

## BOTÕES COM UM TOQUE

(●) Pulse para ativar a iluminação de fundo debaixo de cama. Pulse uma vez mais para desativar.

(ZERO) Posição dada ZERO-G® com um toque. Zero-G® ajusta seus pés a um nível mais alto que seu coração ajudando aliviar a pressão de parte baixa das costas e melhorar a circulação do sangue.

(I) Posição dada #1.

(II) Posição dada #2.

A função programada permite conservar as posições de utilizador. Por favor, leia todas as instruções mostradas mais baixo, antes que configurar seus ajustes de utilizador no controlo remoto.

Passo 1: Ponha a parte da cabeça e dos pés na posição desejada.

Passo 2: Pulse e mantenha pulsado um dos botões pré-ajustados [I, II] durante 7 segundos.

Agora a posição é guardada.

**OBSERVAÇÃO:** Para voltar para os botões os pré-ajustes de fábrica iniciais, mantenha pulsado o botão FLAT e ZERO-G® ao mesmo tempo pelo menos durante 10 segundos. Os ajustes iniciais serão recuperados.

Para corrigir a posição guardada, repeta os passos 1 e 2 e a posição

nova será guardada.

Fechadura de proteção contra as crianças

Ative a fechadura de proteção contra as crianças

Pulse e mantenha pulsado a tecla FLAT + HEAD UP durante mais de 3 segundos, a iluminação de fundo piscará 2 vezes indicando a ativação exitosa de fechadura de proteção contra as crianças.

Quando for ativada a proteção contra as crianças, pulse qualquer botão, a cama regulada não reagirá, mas a iluminação de fundo de controlo remoto piscará 2 vezes em qualidade de recordação.

Desativar a fechadura de proteção contra as crianças

Pulse e mantenha pulsado o botão FLAT + FOOT UP durante mais de 3 segundos, a iluminação de fundo piscará 2 vezes indicando a desativação exitosa de fechadura de proteção contra as crianças.

Quando a fechadura de proteção contra as crianças for tirada, pulse qualquer botão, a cama regulada voltará para a posição normal.

## pg.12 Acoplamento com controlo remoto

Acoplamento remoto

O controlo remoto original que forma parte de kit de entrega já é ligado à base regulada. Nenhuma ação posterior será requerida. Em caso se o controlo remoto não for ligado à base, faça as ações descritas mais baixo.

### PASSO 1

Extraia o fio de alimentação da tomada. Espere 1 minuto, logo ligue-o de novo à tomada elétrica. Faça o passo 2 dentro de 10 segundos, até o indicador da unidade de controlo piscar.

Power Supply=Fonte de alimentação

Power Cord=Cabo de alimentação

Cabo de alimentação da corrente alternada (Europa)

Desenrole o fio de alimentação de entrada (ligado ao desengate de alimentação da unidade de controlo) e ligue a ficha à fonte de alimentação. Por favor, use o fio de alimentação da corrente alternada para as camas entregadas para Europa.

Cabo de alimentação da corrente alternada (Grã-Bretanha)  
Desenrole o fio de alimentação de entrada (ligado ao desengate de alimentação da unidade de controlo) e ligue-o à fonte de alimentação. Por favor, use o fio de alimentação da corrente alternada para as camas entregas ao mercado de Grã-Bretanha.

## PASSO 2

Tire a tampa traseira de controlo remoto, pulse e mantenha pulsado o botão de acoplamento PAIR. O botão de acoplamento PAIR iluminará de cor azul e começará piscar.

Quando o botão de acoplamento PAIR deixar de piscar, o indicador na unidade de controlo deixará de piscar. Solte o botão PAIR. Agora o controlo remoto é ligado à base regulada.

PAIR Button=PAIR botão

## PASSO 3

Teste todas as funções de controlo remoto. Se os botões de controlo remoto não influírem sobre o deslocamento da base regulada, por favor, repeta o processo uma vez mais.

### **pg.13 Sincronização de duas bases (opção)**

O fio de sincronização forma parte de kit de entrega da base. Não é disponível com bases de tamanho "Queen", "Full" ou "Full-Long".

O fio de sincronização conecta duas unidades de controlo com um controlo remoto para a sincronização de duas bases.

## PASSO 1

Desligue as bases da fonte de alimentação.

## PASSO 2

Ligue o cordão de sincronização ao porto multifuncional de cada elemento de controlo Caixa.

## PASSO 3

Ligue as bases de novo à fonte de alimentação.

## PASSO 4

Convença-se que todos os cordões forem fixados com segurança. Agora ambos controlos remotos controlarão ambas bases ao mesmo

tempo.

Agora o sistema é ligado. Os botões pulsados em qualquer Controlo remoto controlarão ambas bases ao mesmo tempo.

Control Box 1&2=Unidade de controlo 1&2

Sync Cord=Fio de sincronização

## OBSERVAÇÕES DE PRODUTIVIDADE

Se as bases não coincidem, pulsando o botão FLAT levará à sincronização de novo das posições mecânicas.

### **pg.14 Correia de conexão (opção)**

As correias de conexão são fixadas ao quadro básico durante a entrega.

Os pés são necessários para a instalação das correias de conexão.

## PASSO 1

Quando instalar as bases na posição necessária, afrouxe um pouco ambos pés, para a correia caber no parafuso do pé entre a arruela do pé e o quadro.

## PASSO 2

Ponha a parte lateral (a) de barra de conexão ao parafuso de pé. Vire a correia e ligue o lado lateral (b) ao parafuso para os pés. Fixe a pequena correia deslocando-a à esquerda.

## PASSO 3

Aperte de novo os pés. Não aperte demasiado forte. Use a correia restante e repeta de outro lado da base.

### **pg.15 Pequena correia para a ligação de pilhas**

Para o funcionamento da função de desativação de alimentação são requeridas duas (2) pilhas alcalinas com tensão de 9 volts que não formam parte de kit de entrega.

## PASSO 1

Desligue a fonte de alimentação do cordão de entrada.

## PASSO 2

Ligue a pequena correia para a alimentação de reserva às (2) pilhas alcalinas com tensão de 9 volts. Não misture as pilhas de firma.

## PASSO 3

Ligue o extremo de cordão de alimentação de reserva ao cordão de alimentação de entrada que é ligado à unidade de controlo.

Battery Backup Strap=Pequena correia para a bateria recarregável de reserva

Input Cord=Fio de entrada

Control Box=Unidade de controlo

Observação: Desligue a pequena correia para a alimentação de reserva após for eliminada a situação de emergência, já que o sistema seguirá a receber a alimentação das pilhas, inclusive se elas não forem usadas.

## PASSO 4

Com ajuda de controlo remoto solte a base até a posição plana.

## pg.16 Ajuste de Bluetooth

Para controlar a base desde dispositivo inteligente é necessário carregar a aplicação “Ergo Slim” no dispositivo inteligente necessário de App Store (Apple) ou Google Play Store (Android).

### PASSO 1

Ligue a cama à fonte de alimentação.

### PASSO 2

Abra a aplicação Ergo Slim e selecione o icone do menu.

### PASSO 3

Selecione Bluetooth V4.0 e "ligação automática".

### PASSO 4

Pulse "Selecionar o dispositivo".

### PASSO 5

Selecione a base desejada. Pulse a flecha para trás para voltar aos ajustes, e selecione o Controlo remoto para voltar ao ecrã de controlo remoto.

\*As instruções de controlo remoto são mostradas na pág. 10.

## OBSERVAÇÕES

- Durante o uso de várias bases: o número de identificação único será indicado na etiqueta que fica no adaptador
  - Pulse e mantenha pulsado o botão RESET dentro de 5 segundos para voltar os pré-ajustes configurados até os ajustes de fábrica por defeito.
  - Para a desligação selecione “Esquecer este dispositivo” no menu de ajustes Bluetooth.
  - Para obter ajuda em estabelecimento de conexão Bluetooth, por favor, use o manual de operações de seu dispositivo ou chame diretamente a produtor.
- Para obter ajuda em ajustar a ligação Bluetooth® use o manual de operações de seu dispositivo inteligente ou chame diretamente a produtor.

## pg.17 Suportes para a cabeceira de cama

### PASSO 1

Convença-se que a parte inferior da base for orientada para cima. Peças para a instalação: 4 parafusos torx, 2 parafusos curtos, 2 porcas, 2 gatos de ferro.

### PASSO 2

Coloque o gato de ferro justamente com ângulo da base. Convença-se que o orifício para o pé e o orifício pequeno para o parafuso no canto inferior de suporte coincidam.

### PASSO 3

a) Faça passar o pé no orifício principal e faça girar para apertar. Não aperte demasiado forte.

b) Com ajuda de parafuso curto e porca fixe o bordo externo de suporte.

### PASSO 4

Ripeta os passos 2-3 para instalar outro suporte.

### PASSO 5

Faça coincidir a cabeceira de cama com suporte e ponha a cabeceira

de cama na guia de suporte.

## PASSO 6

Use os parafusos com forma de flores para fixar a cabeceira de cama ao suporte.

### **pg.18 Eliminação de defetuosidades**

Se uma ou várias funções sobre a base de cama deixaram de funcionar:

- Verifique debaixo da base de cama para convencer-se de segurança das conexões de fios e a ausência de cordões ou roupa de cama, que impedem o deslocamento da base.
- Convença-se que na unidade de controlo fique encendido o diodo emissor de luz verde. Se o indicador não fica encendido, convença-se que os cabos de entrada e cordões de alimentação forem ligados corretamente.
- Desligue a base da rede por 1 hora para reiniciar os componentes eletrônicos.
- Ligue a base de cama a outra tomada elétrica ou verifique a disponibilidade da corrente na tomada com ajuda de outro dispositivo em funcionamento (é recomendado usar o filtro de rede ligado à terra).
- Extraia e substitua todas as pilhas no controlo remoto e ligue de novo o controlo remoto à base (ver pág. 12).

Se o problema não for eliminado, seguindo as instruções mostradas acima encontre o número de série no talão de garantia ou no reverso de controlo remoto.



## **pg.1-4 Precauciones de seguridad y declaraciones de uso**

Atención: Advertencias importantes de seguridad

Antes de usar la base ajustable, lea todas las instrucciones. Guarde estas instrucciones.

### **PARA REDUCIR EL RIESGO DE DESCARGAS ELÉCTRICAS, QUEMADURAS, INCENDIOS O LESIONES:**

Para una seguridad y un funcionamiento óptimos, enchufe la base de la cama a un protector de sobretensión (no incluido). La base de la cama sólo debe enchufarse directamente a una toma de corriente o a un protector de sobretensión (muy recomendable). Desenchufe siempre la base de la toma de corriente antes de reparar cualquier pieza de la base. Para reducir el riesgo de descarga eléctrica, desenchufe la base antes de limpiarla. Para desconectarla de forma segura, asegúrese de que la base esté en posición horizontal y con todos los motores apagados y desenchúfela de la fuente de alimentación. Mantenga el cable de alimentación alejado de superficies calientes. No utilice nunca la base si las aberturas de ventilación están obstruidas. Mantenga las aberturas de ventilación libres de pelusas, pelos y objetos similares. No deje caer ni inserte ningún objeto en ninguna abertura. Deje de utilizar la base de cama y póngase en contacto con un centro de servicio cualificado si: tiene un cable o enchufe dañado, si no funciona correctamente o si se ha caído al agua. Utilice esta base de cama únicamente para el uso previsto, tal y como se describe en este manual. No utilice accesorios/elementos no recomendados por el fabricante. Se requiere una supervisión estrecha cuando la base de cama es utilizada por o cerca de niños, personas convalecientes, personas discapacitadas o mascotas. La conexión incorrecta del equipo puede provocar riesgo de descarga eléctrica, incendio eléctrico o mal funcionamiento de la base de cama. Si el enchufe no se adapta a su toma de corriente, póngase en contacto con un electricista cualificado para que instale una toma de corriente adecuada. La modificación no autorizada o la no utilización de una toma de corriente o un protector de sobretensión podría anular la parte eléctrica de su garantía.

### **MASCOTAS Y NIÑOS:**

Deseche inmediatamente todo el material de embalaje, ya que puede suponer un riesgo de asfixia para los niños pequeños y las mascotas. Para evitar lesiones, es desaconsejable permitir que los niños y las mascotas pequeñas jueguen encima o debajo de la cama. Los niños no deben manejar la base de la cama sin la supervisión de un adulto.

### **MARCAPASOS:**

Algunos productos contienen IMANES de neodimio que pueden interferir con dispositivos como marcapasos, DCI y cualquier otro dispositivo sensible a los campos magnéticos. Se recomienda **ENCARECIDAMENTE** que los propietarios de tales dispositivos médicos consulten a su médico antes de utilizar productos que contengan IMANES de neodimio. También es posible que algunos marcapasos interpreten erróneamente las vibraciones de la función de masaje opcional como movimiento/ejercicio. Esto es habitual con cualquier producto que genere un movimiento vibratorio y puede que no afecte al marcapasos. Consulte a su médico antes de utilizar la función de masaje.

### **USO DOMÉSTICO Y NORMAS HOSPITALARIAS:**

Las bases de cama ajustables Ergomotion están diseñadas exclusivamente para uso doméstico. Esta base no ha sido diseñada como una cama de hospital y no está diseñada para cumplir con los estándares hospitalarios. No utilice esta base con equipos de oxigenoterapia TIPO TIENDA ni cerca de gases explosivos.

### **CARACTERÍSTICAS ADICIONALES DE SEGURIDAD:**

Las ruedas (accesorio opcional para las patas) están equipadas con un sistema de bloqueo para evitar movimientos no deseados. Incluso cuando están bloqueadas y no pueden rodar, es posible que las ruedas se deslicen. Los motores del cabezal y de la parte inferior de desenganche libre están diseñados para bajar el colchón replegándose sólo con la gravedad, nunca tirando hacia abajo, lo que

minimiza los puntos de pellizco.

## MECANISMOS DE ELEVACIÓN / DESCENSO

La función de elevación/descenso emitirá un zumbido mínimo durante el funcionamiento. Esto es normal. Durante el funcionamiento, las ruedas del mecanismo de elevación entran en contacto con el soporte de la plataforma de la base. Este contacto puede ser de metal con metal o de metal con plástico. Esto produce una ligera tensión en los componentes móviles y la resonancia se reduce a un nivel mínimo.

Si el ruido o la vibración son excesivos, invierta la acción de movimiento (arriba o abajo) de la base con el mando a distancia. Esto debería realinear los mecanismos de activación de la base a la posición de funcionamiento adecuada. En funcionamiento normal de la base, las ruedas, que permiten que la cama mantenga su distancia de la pared, harán contacto con los soportes de acero de la plataforma de la base creando un ruido de contacto. Al subir, bajar o cambiar de peso en la base, este ruido de contacto puede ser audible cuando las ruedas hacen contacto. Esto es normal.

## MATERIALES

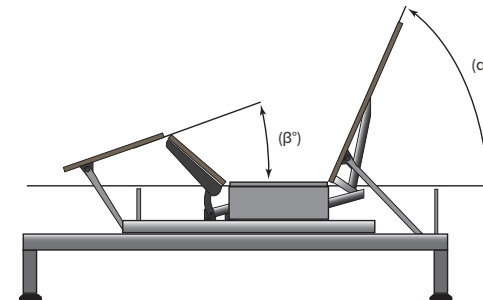
Las bases ajustables Ergomotion están fabricadas con diferentes materiales, como maderas, metales, plásticos y tejidos. La tensión, la presión o el movimiento ejercidos sobre el marco, la plataforma o la funda durante el uso general pueden producir un sonido audible.

## FUNCIONAMIENTO DEL MASAJE Y ENTORNO DE UBICACIÓN

La función de masaje emitirá un tono durante el funcionamiento. Esto es normal. A medida que aumente el nivel de intensidad del masaje, el tono se intensificará. El volumen de este tono está directamente relacionado con el entorno de ubicación. Por ejemplo, cuando se realiza una demostración en una sala de exposiciones, el ruido ambiental cubrirá parte del ruido del masaje. Sin embargo, cuando se instala en un entorno doméstico con suelos de madera, enmoquetados o no, el volumen del masaje será más perceptible. Para minimizar esta

resonancia, coloque un trozo de alfombra, o tacos de goma, debajo de cada pata o rueda de la base. Es posible que se produzcan vibraciones o ruidos procedentes del marco exterior de la cama, los soportes del cabecero, las tablas superiores o inferiores, si los tornillos de montaje no están bien apretados.

Los niveles 1-6 de intensidad de masaje representan las revoluciones del motor por minuto. El nivel 6 proporciona el número máximo de RPM. Sin embargo, esto no significa que la sensación de vibración sea la más intensa. Dependiendo del material del colchón, el grosor y la posición del usuario, la sensación de vibración será diferente. Animamos al usuario a encontrar el ajuste de intensidad de masaje que más le convenga. Es importante comprender la física de las vibraciones. Del mismo modo que un motor puede funcionar de forma brusca al ralentí, a medida que aumentan las revoluciones, las vibraciones cambian al mismo tiempo.



## TOLERANCIA

Todas las bases ajustables Ergomotion, dependiendo de su fabricante y modelo, están diseñadas y fabricadas para rendir y funcionar dentro de los parámetros de control de calidad designados. Las bases se

someten a inspecciones meticulosas y rigurosas durante el proceso de control de calidad para garantizar que las bases funcionarán dentro de estos estándares durante un uso operativo normal. Por uso normal se entiende lo siguiente: Las bases ajustables deben utilizarse con un colchón y una carga. Los procedimientos de pruebas requieren pruebas de ciclo de vida con una carga distribuida de hasta 120 kg. El ángulo (marcado "α" en la Figura 1) entre la sección del respaldo y la sección plana para varias configuraciones de la plataforma de soporte del colchón será de  $\pm 3^\circ$ , lo que se traduce en una tolerancia de hasta  $1\frac{1}{2}''$ .

El ángulo (marcado "β" en la Figura 1) entre la sección plana y la sección de los pies para varias configuraciones de la plataforma de soporte del colchón será de  $\pm 3^\circ$ , lo que se traduce en una tolerancia de hasta  $\frac{3}{4}''$ .

Se considera que cualquier base ajustable que respete estas tolerancias establecidas cumple las normas de control de calidad del fabricante.

#### ESE OLOR A "PRODUCTO NUEVO":

Algunas personas notan un ligero olor en su nueva base ajustable, que puede provenir del proceso de fabricación de nuestro material. Este olor es normal y suele desaparecer antes de que el producto llegue a sus manos. A veces, sin embargo, este olor puede seguir siendo perceptible. Suele desaparecer al cabo de unas semanas, siempre que se ventile adecuadamente el producto y el entorno.

#### PERIODO DE ADAPTACIÓN:

Puede acelerar el periodo de adaptación simplemente pasando tiempo en la cama ajustable practicando actividades como leer, ver la televisión o jugar con los niños o los nietos. El movimiento adicional ayudará a que la base ajustable responda a los cambios de peso y temperatura. Algunos de los materiales de nuestras bases ajustables como las maderas, metales y plásticos utilizados en la plataforma, el

marco y los componentes son sensibles al contenido de humedad y a la temperatura y pueden hacer ruido en ambientes más fríos.

#### FUNCIONAMIENTO EN MODO EMPAREJADO:

Cuando se utiliza una configuración de base dividida "emparejada", puede haber una latencia de hasta 1,5 segundos entre la articulación de cada base.

#### DESGASTE POR USO:

El desgaste es el daño que se produce de forma natural e inevitable como consecuencia del uso normal o el envejecimiento.

#### CUIDADO DEL TEJIDO:

Para prolongar la vida de su tejido, protéjalo de la luz directa del sol siempre que sea posible. Para la limpieza de manchas, limpie la zona afectada con una esponja ligeramente humedecida o aspire con un cepillo suave para eliminar las partículas. Manténgala a una distancia mínima de 30 cm de fuentes directas de calor. Para una limpieza más profunda, seque los líquidos derramados con un paño limpio y seco. Frote con un paño limpio humedecido con agua tibia. No moje excesivamente. Puede utilizar un cepillo de cerdas suaves para eliminar la suciedad incrustada. Evite arañazos con un cepillado suave. Frote con un paño limpio humedecido con agua tibia para eliminar los residuos. Seque a la sombra, lejos del calor directo. Si quedan marcas visibles después de la limpieza, consulte a un profesional.

#### RANGOS DEL PRODUCTO

Los motores de elevación no están diseñados para funcionar de forma continua durante más de [2] minutos en un periodo de tiempo de [18] minutos o aproximadamente un ciclo de trabajo del 10%. El intento de ignorar o superar este parámetro acortará la vida útil del producto y puede anular la garantía. Los motores de masaje no están diseñados para funcionar de forma continua durante más de 30 minutos seguidos. Deje que el sistema de masaje descanse durante 30

minutos tras la desconexión automática del masaje antes de volver a ponerlo en marcha.

## LÍMITES DE PESO:

Este producto no está diseñado para soportar pesos superiores a 340 kg (750 lb), incluidos el colchón y la ropa de cama. La base soportará estructuralmente este peso, siempre que se distribuya uniformemente por toda la base de la cama. La base ajustable no está diseñada para soportar o levantar este peso sólo en las secciones de la cabeza o los pies. En caso de sobrepasar esta restricción de peso, la cama podría resultar dañada y/o causar lesiones y se anularía la garantía.

## IMPORTANTE: QUÉ HACER Y QUÉ NO HACER

### QUÉ HAY QUE HACER:

- Conectar la base ajustable a un protector de sobretensión.
- Distribuir uniformemente el peso cuando duerma en una configuración dividida. La distribución desigual del peso puede hacer que la base se levante de manera desequilibrada.
- Llamar al Servicio de Atención al Cliente para cualquier problema técnico. No intentar forzar la base hacia abajo (esto podría dañar los motores o el marco).
- Si tuviera manchas, usar un jabón suave y agua para limpiar la base ajustable.
- Tener en cuenta que es recomendable usar colchones compatibles con bases ajustables.
- Situar la base en posición plana (horizontal) después del uso o entre programas.
- Registrar su garantía en cuanto reciba su base ajustable.

### QUÉ ES LO QUE NO HAY QUE HACER:

- Sentarse en las esquinas/bordes de la base (esto podría deformar el marco, los montantes o la gomaespuma).
- Inclinar la base sobre un lado (esto podría dañar las patas y/o los tornillos de las patas).
- En ningún momento se debe poner de pie o saltar sobre la base

ajustable (esto podría dañar el marco y los motores).

- Arrastrar la base para moverla. (Arrastrar la base podría dañar el marco, desenroscar las tuercas/los tornillos o incluso romper las patas). Adquiera unas ruedas si planea mover su base habitualmente.
- Subir y bajar de la base ajustable con las partes de cabeza y/o el pie en posición articulada. (Suba o baje de la base ajustable en la posición plana (horizontal)).
- Manipular o modificar la base. Esto anulará la garantía.
- Presionar hacia abajo el cabezal o la parte inferior mientras la base está activada puede dañar el marco y los motores.

Cumplimiento con la FCC:

NOTA: Este equipo ha sido probado y cumple con los límites para un dispositivo digital de Clase B, de conformidad con la parte 15 de las Reglas de la FCC. Estos límites están diseñados para proporcionar una protección razonable contra interferencias perjudiciales en una instalación residencial. Este equipo genera, utiliza y puede irradiar energía de radiofrecuencia y, si no se instala y utiliza de acuerdo con las instrucciones, puede causar interferencias perjudiciales en las comunicaciones de radio. Sin embargo, no hay garantía de que no se produzcan interferencias en una instalación en particular. Si este equipo causa interferencias perjudiciales en la recepción de radio o televisión, lo cual puede determinarse encendiendo y apagando el equipo, se recomienda al usuario que intente corregir la interferencia mediante una o más de las siguientes medidas:

- Reorientar o reubicar la antena receptora.
- Aumentar la separación entre el equipo y el receptor.
- Conectar el equipo a una toma de corriente en un circuito diferente al que esté conectado el receptor.
- Consultar al distribuidor o a un técnico experimentado de radio/TV para obtener ayuda.

**GUARDE ESTAS INSTRUCCIONES**

## pg.5 Lista de componentes

Antes de desechar los materiales de embalaje, asegúrese de tener todas las piezas.

Todas las piezas electrónicas y los componentes que deben instalarse se encuentran en cajas situadas debajo de la base o fijadas al marco.

- A) Mando a distancia inalámbrico con pilas tipo AAA (3) ~
  - B) Barra de retención del colchón (2) \*
  - C) Cable de alimentación (Reino Unido)
  - D) Cable de alimentación (UE)
  - E) Fuente de alimentación
  - F) Caja de alimentación auxiliar (pila alcalina de 9 V no incluida)
  - G) Pletina de conexión \*\*
  - H) Cable SmartSync Cord ‡
  - I) Pata de aluminio (4)
- Otros componentes (no incluidas):
- J) Protector de sobretensión
  - K) Pilas alcalinas de 9 V(2)

\* Estos elementos se adjuntan a la base para fines de envío.

Retíralas con cuidado de la base y déjalas a un lado.

‡ Solo se incluye para las bases Twin Long y Cal King Split.

~ Si la batería no se utiliza durante mucho tiempo, es necesario cambiarla.

¡IMPORTANTE!: Por su seguridad, lea detenida y completamente el manual del propietario antes de utilizar este producto. Pueden producirse descargas eléctricas si los componentes eléctricos no se instalan o no se utilizan de acuerdo con estas instrucciones.

## pg.6 Información general de la base y del mando a distancia

Head Motor=Motor de cabeza

Foot Motor=Motor de pies

Massage Motor=Motor de masaje

Underbed Lighting=Iluminación bajo cama

USB Port=Puerto USB

Control Box=Caja de control

Underbed Lighting and Remote Torch Control On/Off

=Iluminación bajo la cama y control remoto de la linterna On/OFF

Massage All On/Off=Masaje completo On/OFF

Head Massage On/Off (3 Levels of Intensity)

=Masaje de cabeza On/OFF (3 niveles de intensidad)

Foot Massage On/Off (3 Levels of Intensity)

=Masaje de pies On/OFF (3 niveles de intensidad)

Lifts Head=Subida de cabeza

Lifts Foot=Subida de pies

Lowers Head=Bajada de cabeza

Lowers Foot=Bajada de pies

Flat Preset Position=Posición plana preestablecida

Preset Position #1=Posición preestablecida #1

Preset Position #2=Posición preestablecida #2

Zero G® Preset Position=Posición preestablecida Zero G®

## pg.7 Guía de referencia rápida

No es a escala. Solo a efectos ilustrativos. Lea todas las instrucciones antes de empezar con la instalación.

INFORMACIÓN GENERAL SOBRE COMPONENTES ELECTRÓNICOS

Power Cord (EU)=Cable de alimentación (UE)

Power Cord (UK)=Cable de alimentación (Reino Unido)

Power Supply= Fuente de alimentación

Input Cord=Cable de entrada

Control Box=Caja de control

Head Motor=Motor de cabeza

Foot Motor=Motor de pies

Sonic Massage Motor=Motor de masaje sónico

Acoustic Motor Extension Cord=Cable alargador del motor acústico

Massage Motor Splitter Cable=Cable derivador del motor de masaje

Underbed Lighting=Iluminación bajo cama

USB Charger=Cargador USB

Wireless Remote Control=Mando a distancia inalámbrico

Battery Backup Strap=Correa de la batería de reserva

En caso de instalación de un equipo dividido, consulte la página 13.

## pg.8-9 Guía de instalación

El montaje de la base debe realizarse siempre por dos personas.

### PASO 1

Coloque la caja de la base de cama en el lugar deseado con la parte Superior de la caja hacia arriba.

Retire las correas de sujeción y los materiales de embalaje, asegurándose de no perforar la caja con ningún objeto puntiagudo.

### PASO 2

Retire la base de la cama de la caja con el fondo de la base hacia arriba.

Si va a instalar la base sin patas, continúe con el paso 4.

### PASO 3

Para instalar los soportes del cabecero (se venden por separado) consulte las instrucciones en la página 17.

Las patas son opcionales. Para instalar las patas, enrosque la arandela sobre el perno de la pata con el lado rebajado hacia la pata, y apriete con la mano. No apriete demasiado.

### PASO 4

Para sincronizar dos bases, consulte las instrucciones detalladas de instalación en la página 13.

Localice la correa de la batería de reserva e instale (2) pilas alcalinas de 9 V (no incluidas).

### PASO 5

Desenrolle el cable de alimentación de entrada (conectado al puerto de alimentación de la caja de control) y enchúfelo a la fuente de alimentación.

### PASO 6

Desenrolle el cable de alimentación y conéctelo a la fuente de

alimentación. Coloque la fuente de alimentación en el suelo y extiéndala desde la base. Asegúrese de que la fuente de alimentación y todos los cables conectados estén orientados hacia el protector de sobretensión deseado.

### PASO 7

Dé la vuelta a la base con cuidado. Importante: Se necesitan dos personas para mover la base de cama. No lo arrastre por el suelo. No apoye la base de lado, la presión excesiva puede dañar las patas (si se utilizan).

### PASO 8

Conecte el cable de alimentación a una fuente de alimentación. Se recomienda utilizar un protector de sobretensión.

### PASO 9

Pruebe rápidamente las funciones del mando a distancia para verificar la configuración correcta antes de colocar el colchón sobre la base. Vuelva a colocar la base en posición plana antes de colocar el colchón encima.

### PASO 10

Instale las barras de sujeción del colchón insertando ambos extremos de la barra de sujeción del colchón en los orificios de la plataforma y colocando las barras con el lado curvo hacia arriba.

La instalación está terminada.

Pruebe todas las funciones del mando a distancia.


## pg.10-11 Mando a distancia


El mando a distancia viene emparejado con la base ajustable.

Se requieren tres (3) pilas AAA para el funcionamiento del mando a distancia.

### FUNCIÓN DE MASAJE

⊗ Masaje completo ON/OFF Activa la función de masaje en las secciones de cabeza y pies.

 El botón HEAD + - activa el masaje en la sección de cabeza. Ciclo con 3 intensidades de masaje.


 El botón FOOT + - button will turn on the foot massage. Cycle through 3 massage intensities.


## AJUSTE

 Las flechas HEAD ▲▼ suben o bajan la sección de cabeza de la base.  Las flechas FOOT ▲▼ suben o bajan la sección de pies de la base.

 Posición plana preestablecida FLAT con una pulsación.

## BOTONES DE UNA SOLA PULSACIÓN "ONE TOUCH"

 Pulse para activar la iluminación bajo la cama. Pulse de nuevo para apagar.

 Posición preestablecida ZERO-G® con un solo toque. Zero-G® ajusta las piernas a un nivel superior al del corazón, lo que ayuda a aliviar la presión en la zona lumbar y favorece la circulación.

 Posición preestablecida #1.

 Posición preestablecida #2.

La función programable le permite guardar posiciones personalizadas. Lea todas las instrucciones a continuación antes de configurar sus posiciones personalizadas en el mando a distancia.

Paso 1: Articular la cabeza y el pie de la base hasta la posición deseada.

Paso 2: Pulse y mantenga pulsado uno de los botones de preajuste [I, II] durante 7 segundos.

La posición ya está guardada.

NOTA: Para restablecer los botones de preajuste a su configuración original de fábrica, mantenga pulsados FLAT y ZERO-G® simultáneamente durante al menos 10 segundos. Se restaurarán los ajustes preestablecidos originales.

Para ajustar la posición guardada, repita los pasos 1 y 2 y se guardará la nueva posición.

Bloqueo de seguridad infantil

Activar el bloqueo de seguridad infantil

Mantenga pulsado FLAT + HEAD UP durante más de 3 segundos, la iluminación de fondo parpadeará 2 veces para indicar que el bloqueo de seguridad infantil se ha activado correctamente.

Cuando el bloqueo de seguridad infantil esté activado, pulse cualquier botón, la cama ajustable no responderá y la iluminación de fondo del mando a distancia parpadeará 2 veces como recordatorio.

Desactivar el bloqueo de seguridad infantil

Mantenga pulsado FLAT + FOOT UP durante más de 3 segundos, la iluminación de fondo parpadeará 2 veces para indicar que el bloqueo de seguridad infantil se ha desactivado correctamente.

Cuando el bloqueo de seguridad infantil esté desactivado, pulse cualquier botón y la cama ajustable volverá a su estado normal.

## pg.12 Emparejamiento del mando a distancia

Emparejamiento del mando a distancia

El mando a distancia original que viene en la caja ya está emparejado con la base ajustable. No se requiere ninguna acción adicional. En el caso de que el mando a distancia no esté emparejado con la base, seguir los siguientes pasos.

### PASO 1

Desconecte el cable de alimentación de la toma de corriente. Espere 1 minuto y vuelva a enchufarlo a la toma de corriente. Realice el paso 2 dentro de 10 segundos, mientras la luz de la caja de control esté parpadeando.

Power Supply=Fuente de alimentación

Power Cord=Cable de alimentación

Cable de alimentación de CA (Europa)

Desenrolle el cable de alimentación de entrada (conectado al puerto de alimentación de la caja de control) y enchúfelo a la fuente de alimentación.

Utilice el cable de alimentación de CA para las camas enviadas a Europa.

Cable de alimentación de CA (Reino Unido)

Desenrolle el cable de alimentación de entrada (conectado al puerto de alimentación de la caja de control) y enchúfelo a la fuente de alimentación. Utilice el cable de alimentación de CA para las camas

enviadas al mercado del Reino Unido.

## PASO 2

Retire la cubierta posterior del mando a distancia, presione y mantenga presionado el botón PAIR. El botón PAIR se iluminará en azul y comenzará a parpadear.

Cuando el botón PAIR deje de parpadear, la luz iluminada en la caja de control se apagará. Suelte el botón PAIR. El mando a distancia ahora está emparejado con la base ajustable.

PAIR Button=Botón PAIR

## PASO 3

Pruebe todas las funciones a distancia. Si los botones del mando a distancia no afectan a los movimientos de la base ajustable, repita el proceso otra vez.

### **pg.13 Sincronización de dos bases (opcional)**

Se incluye un cable de sincronización con la base. No está disponible en las bases de tamaño Queen, Full o Full-Long.

El cable de sincronización conecta las dos cajas de control a un solo mando a distancia para la sincronización de dos bases.

#### PASO 1

Desenchufe las bases de la fuente de alimentación.

#### PASO 2

Conecte el cable de sincronización al puerto multifuncional de cada caja de control.

#### PASO 3

Vuelva a conectar las bases a la fuente de alimentación.

#### PASO 4

Compruebe y asegúrese de que todos los cables estén bien conectados. Ambos mandos a distancia ahora operarán sobre las bases simultáneamente.

El sistema ahora está vinculado. Los botones pulsados en cualquier mando a distancia controlarán las dos bases simultáneamente.

Control Box 1&2=Caja de control 1&2

Sync Cord=Cable de sincronización

## NOTAS SOBRE EL FUNCIONAMIENTO

Si las bases no coinciden, al pulsar el botón FLAT se volverán a sincronizar las posiciones mecánicas.

### **pg.14 Pletinas de conexión (opcional)**

Las pletinas de conexión están fijadas al marco de la base a la entrega. Las patas son necesarias para la instalación de las pletinas de conexión.

#### PASO 1

Una vez colocadas las bases en la ubicación deseada, afloje ligeramente ambas patas para permitir que la pletina encaje en el perno de la pata, entre la arandela de la pata y el marco.

#### PASO 2

Deslice el lado (a) de la pletina de conexión en el perno de la pata. Gire la pletina y conecte el lado (b) al perno de la pata. Fije la pletina desplazándola hacia la izquierda.

#### PASO 3

Vuelva a apretar las patas. No apriete demasiado. Utilice la pletina restante y repita el proceso en el otro extremo de la base.

### **pg.15 Correa con batería de reserva**

Se necesitan dos (2) pilas alcalinas de 9 V para que funcione la función de corte de corriente y NO están incluidas.

#### PASO 1

Desconecte la fuente de alimentación del cable de entrada.

#### PASO 2

Conecte la correa de la batería de reserva a las (2) pilas alcalinas de 9 V. No mezcle pilas de diferentes marcas.

#### PASO 3

Conecte el extremo de la correa de la batería de reserva al cable de alimentación de entrada que está conectado a la caja de control.



Correa de la batería de reserva

Battery Backup Strap=Correa de la batería de reserva

Input Cord=Cable de entrada

Control Box=Caja de control

Nota: Retire la correa de la batería de reserva una vez que haya pasado la emergencia, ya que el sistema seguirá consumiendo energía de las baterías aunque no esté en uso.

PASO 4

Utilice el mando a distancia para bajar la base a una posición plana.

## pg.16 Bluetooth

Para manejar la base desde un dispositivo inteligente, debe descargarse la aplicación "Ergo Slim" en el dispositivo inteligente deseado desde App Store (Apple) o Google Play Store (Android).

PASO 1

Enchufe la cama a la corriente.

PASO 2

Abra la aplicación Ergo Slim y seleccione el icono Menú.

STEP 3

Seleccione Bluetooth V4.0 y "conexión automática".

PASO 4

Pulse Seleccionar dispositivo.

PASO 5

Seleccione la base deseada. Pulse la flecha atrás para volver a los ajustes y seleccione Mando a distancia para volver a la pantalla del mando a distancia.

\*Consulte la página 10 para obtener instrucciones sobre el mando a distancia.

NOTAS

- Si se utilizan varias bases: el número de identificación único figurará en la pegatina situada en el adaptador.
- Mantenga pulsado RESET durante 5 segundos para restablecer los valores predeterminados de fábrica.

- Para desconectar Desactive la función Bluetooth de su dispositivo o seleccione "Olvidar este dispositivo" en el menú de configuración de Bluetooth.

- Si necesita ayuda para establecer una conexión Bluetooth, consulte el manual del usuario de su dispositivo o póngase en contacto directamente con el fabricante.

Si necesita ayuda para configurar una conexión Bluetooth®, consulte el manual del usuario de su dispositivo inteligente o póngase en contacto directamente con el fabricante.

## pg.17 Soporte del cabecero

PASO 1

Asegúrese de que el fondo de la base esté hacia arriba.

Accesorios para la instalación: 4 tornillos torx, 2 tornillos cortos, 2 tuercas, 2 soportes.

PASO 2

Coloque el soporte en posición plana sobre la esquina de la base. Asegúrese de alinear el orificio de la pata y el pequeño orificio del tornillo en la esquina inferior del soporte.

PASO 3

a) Enrosque la pata en el orificio principal y gírela para apretarla. No apriete demasiado.

b) Con un tornillo corto y una tuerca, fije el borde exterior del soporte.

PASO 4

Repita los pasos 2-3 para instalar el otro soporte.

PASO 5

Alinee el cabecero con el soporte y deslice el cabecero sobre el riel del soporte.

PASO 6

Utilice los tornillos de cabeza para fijar el cabecero al soporte.

## **pg.18 Solución de problemas**

Si una o varias funciones de la base de cama han dejado de funcionar:

- Compruebe debajo de la base de cama para verificar que las conexiones por cable son seguras y que no hay cables o ropa de cama obstruyendo el movimiento de la base..
- Compruebe que la luz LED verde se ilumina en la caja de control. Si no se enciende, compruebe que los cables de entrada y de alimentación están correctamente conectados.
- Desenchufe la base durante 1 hora para restablecer los componentes electrónicos.
- Enchufe la base de cama en una toma de corriente diferente o pruebe la toma actual con otro aparato que funcione (se recomienda utilizar un protector de sobretensión con toma de tierra).
- Retire y cambie las pilas del mando a distancia y vuelva a acoplar el mando a la base (consulte la página 12).

Si el problema no se resuelve siguiendo las instrucciones anteriores, localice el número de serie en la tarjeta de garantía o en la parte posterior del mando a distancia.

# Note

---

---

---

---

---

---

---

---

---

---

---

---

## Nationwide Customer Service

Customer Service: [eusupport@ergomotion.com](mailto:eusupport@ergomotion.com)

Web: <https://www.ergomotion.com>

<https://eu.ergomotion.com/>

<https://eu.ergomotion.com/warranty-activation/>

©2023 Ergomotion Inc

V001\_05/2023

35016436

### Manufacturer:

Keeson Technology Corporation Limited.: NO.158  
qiumao road,WangJiangjing Development Zone,  
JiaxingCity, Zhejiang Province, China

Produced for Sleep.8

AFT-ADVANCE FURNITURE TECHNOLOGIES, LDA  
RUA DO ORREIRO, N°67, 3700-211, SÃO JOÃO DA  
MADEIRA, PORTUGAL  
516942220

Serial Number:

+

+

+

+